



abbeychart 

Product Guide

Liquid dispensing equipment
• Products • Components • Accessories

Vending

Water

Coffee

eSPReSSo

Soft drinks

Brewery

+44 (0) 1367 711 900



sales@abbeychart.co.uk



www.abbeychart.co.uk

abbeychart

Established in 1991, Abbeychart, part of Hawco Limited, is a specialist supplier of component parts, spares and accessories to the water, vending, coffee, soft drinks and brewery sectors.

With a comprehensive portfolio of products, industry-leading technical support and customer service, Abbeychart can deliver a variety of solutions at the point-of-sale to ensure the requirements of your business are met time and time again.

abbeychart

Abbeychart offers:

- over 2,000 Products in Stock
- over 9,000 Products available
- U.K. -Wide field Sales engineers
- technical Support
- next day delivery
- Online Purchasing and technical Support



An extensive range of motors designed for performance, reliability and application flexibility. With Abbeychart designing-in and supplying over 2,000 different part numbers for vending, beverage, catering and industrial applications we are confident our technical support and product range can support your equipment needs.

Motors

- | | |
|----------|---------|
| Brewer | Whipper |
| Grinder | Drive |
| Agitator | Geared |
| Custom | Fan |
| | Pump |

Components and solutions to your applications

Coupled with our extensive external and internal engineering teams we are confident that if you cannot find a product from our catalogue ranges we will be able to find or make the solution to your application needs.

Abbeychart is ISO9001 approved utilising industry standards (UL, NSF, WRAS, CE) to ensure quality and reliability is a key promise in all that we do and provide. With over 3,000 active industry customers Worldwide we are confident we can be a key partner in your component needs.




1 Motors
Page 7

- Whipper
- Canister
- Cup Drop
- Grinder
- Agitator
- Brewer
- Spiral Drive and Ingredient Dispense
- Drive
- Pump



2 Valves
Page 15

- Boiler
- Mains Water Solenoid
- Pressure Reducing
- Non Return
- Shut off & Ball Valves
- Single and Double Banked



3 Pumps
Page 27

- Hi-Flow
- Miniature
- Bottle Water
- Booster
- ULKA
- PI
- Plaset
- SHURflo Electric
- Matra
- CO₂
- Rotary Vane
- Peristaltic
- Totton
- Vibration



4 Hoses, Fittings and Fastenings
Page 33

- Standard, Platinum cured and anti-bacterial silicone
- Braided, nylon, delrin
- LLDPE, MDPE, PVC and PTFE
- O-rings and gaskets
- Washing machine and Stainless steel
- John Guest
- Compression, Plumbing and Bespoke
- Ducting
- Seals
- Brass, Stainless Steel and custom fittings
- Oetiker
- Plastic Thogus



5 Filters
Page 63

- Paper & Rolls
- Omnipure
- EWC Calcium Retreatment Units
- Brita
- 3M Filters
- Ceramic, Inline and Professional
- Everpure, Omnipure and Ametek style
- Wide range of adapter head fittings




6 Product Handling
Page 71

- Filter papers
- Whipper Systems
- Canisters
- Hot Plates
- Jugs
- Basket Product Tank and kegs
- CO₂ Regulators
- Bag in Box Accessories



7 Electrical and Lighting
Page 91

- LED Strip and Tubes
- Boilers and Heating Elements
- Flowmeters and Pressure Gauges
- Water Meters and Strainers
- Run Back Timers
- Thermostats, Thermistors and Thermocouples
- Relays, Switches and Cord Sets



8 Hygiene
Page 107

- Bioguard
- Urnex
- Brushes
- Chemicals
- Line and Glass Cleaners
- Sanitizers
- Brewer and Chlorine Tablets
- Label Removers
- Descaler
- Gloves and Paper Towels



9 Fans
Page 121

- High Efficiency EC
- ACEC
- Shaded Pole
- Tangential
- Axial
- Blowers



10 Faucets
Page 133

- Plastic
- High Pressure
- Low Pressure
- Long Reach
- Fitting Kits
- Push Button Operation



Call the Abbeychart team for more information or to order for next day delivery.
+44 (0) 1367 711 900

AC Whipper Motors

powerful, compact,
quiet and reliable



- UL approved
- thermal Protection 85°C
- 60Hz version available
- other Shafts available
- noise Suppression 0.047uf capacitor
- die Cast, front end Shield versions available

IN STOCK - READY TO DESPATCH

Part Number	Description
PACHC5430-31-230	Whipper Motor 230V Short Shaft

DC Whipper Motors



With Bracket (B).

IN STOCK - READY TO DESPATCH

Part Number	Description
XAABB1790	10,000 rPM Whipper Motor assembly

Part Number	Voltage	Speed
ABB1410-RO2490-B	24VdC	10,000 rPM
ABB1410-RO2489-B	24VdC	10,000 rPM
ABB1414-RO2489-B	24VdC	14,000 rPM
ABB1417-RO2489-B	24VdC	17,000 rPM

- Permanent magnet field
- Carbon Brushes
- Hardened Steel Shaft
- Lubricated for life, sintered bearings
- termination solder tabs
- fitted with internal suppression to meet eMC directives
- 3 Standard speeds, 10,000 14,000 and 17,000 rPM
- Special Shaft lengths available on request
- Wiring harness optional

DC Canister Drive Motors



A wide range of dC drive motors and speed reducers are offered by abbeychart. this range features plastic gear boxes and dC motors to form a low cost, but extremely rugged power source for ingredient Canisters for the Vending industry, Photographic industry and food Process industries. available in both 24 Volt and 12 Volt dC, this compact and lightweight unit fits the industry standard mounting positions and is slim but powerful. the motors are all fitted with built-in anti-noise suppressors to assist in meeting european eMC standards. We offer 3 different drive shaft lengths (visible length that shows when fitted 16, 25 and 60mm), which can be fitted to either the front or back of the gear box.

- Lubricated for life
- reversible output shafts with 4 speed options -50, 85, 145 and 220 rpm
- Built in varistor suppression
- fully Sealed Unit
- directly interchangeable with similar types
- Choice of 12 or 24 Volt dC
- Motors supplied with wiring harness

Part Number	Voltage	Speed
CDM24V50	24V	50 rpm
CDM24V85	24V	85 rpm
CDM24V145	24V	145 rpm
CDM24V220	24V	220 rpm

PF7 Series Geared Motor



The Pf7 Series geared Motors are available in various configurations and speeds. They are lubricated with a high temperature lubricant resulting in high performance at high temperatures.

They are manufactured with Helical gears on the input shaft for quiet and smooth operation. The output shaft is supported by a needle bearing allowing a more precise rotation.

Part Number	Voltage	Speed
PACJB50T7	230 VaC	140 rpm

Complete with
600mm flying
leads.

other Sizes available on request (230, 250 and 350 mm)

Geared Motors (Brewer Motors)



The heavyweight of our range, the fBt3 is a low speed, high torque unit designed with pellet fired red appliances and fresh brew vendingsystems in mind, although it is equally suited for many other applications.

High quality engineering ensures a quiet and long running life. available with SC9 aC, Synchronous aC, dC and Brushless dC versions to suit a wide range of applications. output shaft length and diameter can be designed to suit individual customer requirements.

Part Number	Voltage	Speed
MELFBD4.024V	24vdc	4rPM
MELFBD4.124V	24vdc	4.1rPM

Pump Motors



IN STOCK - READY TO DESPATCH

Part Number	Description
RPM110316.02	180w, 220v, 50Hz, 1380 rPM

230V RPM Motors

Part Number	Specification
RPM110388.02	250w / 1/3hp / 240v / 50hz / Con. rated
RPM110316.02	180w / 1/4hp / 220v / 50hz / Con. rated
RPM110515.04	150w / 1/5hp / 240v / 50hz / fan cooled / Con. rated
RPM110515.02	150w / 1/5hp / 240v / 50hz / fan cooled / Con. rated / Splashproof
RPMC0130.00	80w / 1/8hp / 240v / 50hz / Con. rated
RPMC0087.08	187w / 230v / fan Cooled / gaggia pump motor / Splash proof
RPMC0107.00	150w / 1/5 hp / 240v / 50hz / inter. rated / 6uf capacitor
RPMC0107.08	150w / 1/5 hp / 230v / 50hz / inter. rated / 8uf capacitor
RPMC0222.00	60w / 230v / agitator Motor

110V RPM Motors

Part Number	Specification
RPM110437.01	245w / 1/3 hp / 110v / 60hz / Con. rated
RPM110533.01	220w / 1/3 hp / 110v / 60hz / Pump Motor / 1600rpm

The rpm range of motors which are compatible with all leading makes of pumps including Procon, fluid-o-tech and nU.er.t.

Con - Continually rated
inter - intermittently rated

for volume discounts please contact our sales office: 01367 711900

Prices subject to change.

Square Frame Condenser Fan Motors



- A range of industry standard motor and fan motor systems. the motors are all the same form, single phase, shaded pole construction with closed aluminium end shield Long life aluminium bearings ensure durability and low noise
- The range consists of several variants with identical mounting configurations and different power ratings
- The fan blades are of aluminium construction designed for both forward and reverse air flow

IN STOCK - READY TO DESPATCH

Part Number	Description
PACYZF10-20	7W Ce Condenser fan Motor 220v
PACYZF16-25	16W Ce Condenser fan Motor 220v

Part Number	Power (W) Output	Power (W) Input	Current	Speed (r/min)	A	B	C	D	E	F	Fan Size
PACYZF5-13	5	33	0.20	1300	13	16	41	85	49	-	200
PACYZF10-20	10	40	0.35	1300	20	20	45	99	49	-	230
PACYZF16-25	16	60	0.50	1300	25	20	45	99	49	-	250
PACYZF25-40	25	75	0.50	1300	30	20	45	105	49	26	250

Performance Parameters

Rated Voltage:	220 - 240, 50/60 Hz
Speed:	nominal 1300 rPM
Insulation:	Class BB
Protection:	impedance and thermostat
Temp Range:	-30° C + 50° C
Approvals	Vde certified and confirms to european norms en 60-335.2.24, en 60-335.1

Applications include:
Compressor cooling on refrigeration systems and general air movement

Aluminium Blades

Rotation of motors	Motor type	Pressure	Capacity	Input	Dia.	Angle
Blowertype	Suction type	mm / Water	M3/h	Watts		
HE15026AP	15026 AA	Ce5	2	80	26	150 26°
HE17026AP	17026 AA	Ce5	2	130	26	170 26°
HE20026AP	23026 AA	Ce7	2	260	26	200 26°

Other Sizes available on request (230, 250 and 350 mm)

order online www.abbeychart.co.uk

Round Frame Condenser Fan Motors

**Regal manufacturing Ltd.**

formally known as a.o Smith and Magne tek Universal electric.

Particularly suited to the needs of air movement duties, regal motors are used extensively in the air conditioning, refrigeration, heating and ventilating markets.

the versatile nature of the designs make the motors a popular choice with manufacturers and users of business machines, door opening devices, pumps, laboratory and medical equipment, and many other types of product.

Part Number	Rotation (Shaft End)	Watts Output	RPM	Amps	'A' Dim (Inches)	'W' (Inches)	Wt (Kgs)
GA25R **	CCW	5	1250	.23	2.6	36	1.2
GA27R	CCW	7	1250	.26	2.6	18	1.2
GA29R	CCW	9	1300	.29	2.83	18	1.29
GA212R #	CCW	12	1275	.33	3.31	18	1.7
GA214R **#	CCW	14	1250	.42	3.01	64	1.7
GA215R #	CCW	15	1275	.39	3.31	18	1.8
GA218RPS #	CCW	18	1275	.48	3.31	18	1.86

ga25r mounts by 3 studs on 2.812" PCd
Minimum order quantity 50
** ga214r mounts by 3 studs on 2.812" PCd

Agitator Motors



- 2 Pole Shaded motors for continuous duty nickel plated Stack
- Water proof coil (plastic & resin filling)
- electric supply over 700 mm length 3 core cable
- Stainless steel shaft—aiSi304 430 dia. 4.5 or 6.0 mm
- nylon propeller blades

IN STOCK - READY TO DESPATCH

Part Number	Description
CRT-MIX30	220V, 50Hz agitator Motor

Part Number	Description	Voltage
CRT20	agitator Motor 20mm stack	230V
CRT-MIX30	agitator Motor 30mm stack	230V

Please contact us for different voltage, shaft length and supply cord information.



Valves

Abbeychart valves are designed for hot and cold water beverage applications.

With unique features such as the ceramic seat technology for improved life expectancy in calcium rich water areas. Our flexible and extensive range of valve products ensure your dispense control needs are reached.

- | | |
|-----------------------|----------------------|
| Isolation | Boiler |
| John Guest | Dispense |
| Shut Off | High Flow |
| Ball Valves | Mains Water Solenoid |
| Water Block | Pressure Reducing |
| Full Bore | Non Return |
| Custom Configurations | Check Valves |
| Banked | |

ERA Boiler Solenoid Valves



Boiler Valve Repair Kit

IN STOCK - READY TO DESPATCH

Part Number	Description
HE37809	era Boiler Valve repair kit

Technical Specification

Rated Voltage:	220-240 V aC, 120 & 24 V aaC, 50/60 Hz, 12 & 24 VdC
Rated Power:	6 - 10 Watts per coil (subject to duty cycle)
Coil Insulation:	Class f (155°C operation temperature)
Duty cycle	intermittent and Continuous
Construction:	Body Polysulphone, diaphragm Silicone
Inlet Configuration	Standard or customised options on request
Operating Media	Hot and cold water up to maximum temperature 99 °C (210 °f)
Operating Pressure Range	0 - 0.1 Bar (0 to 39 inch head pressure)
Flow Regulations	fully adjustable
Approvals:	nSf, UL/CSa, Compliant with all Major approvals agencies

The 209 series is a normally closed low pressure liquid dispense valve for point of use hot water (99°C) drinks vending and coffee brewers. the range incorporates a modular design for easy servicing and unique ceramic seat technology for improved life expectancy in hard (calcium) water areas. the flexible design is manufactured in high temperature resistant polysulphone with options of flow regulation and breather tubes.

Part number	Description
HE37616	Single Boiler Valve Series 1 240V
HE37614	Single Boiler Valve Series 1 110V
HE37619	Single Boiler Valve Series 1 24V dC
HE37618	Single Boiler Valve Series 2 240V
HE37604	Single Boiler Valve Series 2 110V
HE37602	Single Boiler Valve Series 2 24V dC
HE37809	repair kit for era Boiler Valve

for volume discounts please contact our sales office: **01367 711900**

Prices subject to change.

Beta/Muller Solenoid Valves



BETA Solenoid Boiler Valves

the e355 series uses an innovative and patented design that opens a port at the top of the outlet as the valve shuts off the flow of water into the cup. By allowing air into the dispense pipe like this the flow of water into the cup is improved, filling a standard sized cup in under 2.5 seconds. the vent after vend design also gives a more precise shut off with a 'cleaner' end to the flow.

the f550 is designed for hot and cold water vending applications where the duty cycle is 50% or less, because of its design the f550 is especially suitable for use with hard water.

Part number	Description
F355 Series 21F305	
BVSF550S80/2/30E	Single Boiler Valve 230V
F550 Series	
Valve body: Polysulphone Seal: Silicone	

Muller Solenoid Boiler Valves

- direct acting
- Plunger separated by diaphragm from medium
- redirection of air bubbles by means of sloped inlet
- Ptfе valve seat to inhibit scale build up



- Drop deflection of membrane reduces lime scale build up near valves seat
- Long term performance capability
- flow rate adjustable (flow regulation screw)
- Suitable for food and hot water appliances
- Works from zero pressure
- Similar hydraulic performance for aC or dC types
- Complete drainage of valve outlet after shut off
- easy to assemble and service
- Coil change without opening of medium circuit, coil can be mounted in pistons 4 x 90°
- High operating safety through the use of high quality and 100% final testing of the products

IN STOCK - READY TO DESPATCH

Part Number	Description
MO7699	Membrane for 40.008 and 46.008 Series
ABB306/C	Muller repair kit (40.008-101)

Part number	Description
M55001	Single Boiler Valve, Series 40.008.101 230VaC
M53702	Single Boiler Valve, Series 40.012.111 110VaC

order online www.abbeychart.co.uk

AbbeyValve Solenoid Valve

The Abbeyvalve Solenoid Valve is designed for hot and cold water dispensing systems. All Abbeychart model valves have vent tube and flow control screw.



Part number	Description
ACITRV00.PS	Single Boiler Valve 24V dC
ACITRV00A.PS	Single Boiler Valve 230V aC
ACITRV00B.PS	Single Boiler Valve 110V aC
ACITRV00C.PS	Single Boiler Valve 24V aC
ACITRV00D.PS	Single Boiler Valve 12V dC
ACITRV00R	repair kit for abbeyvalve Single Boiler Valve

Valve body	Polysulphone	O-Ring	Silicone
Seal	Silicone	Membrane	Silicone
Armature	Stainless Steel	Seat	teflon

Single Solenoid Valves

Part of an extensive line of normally closed, pilot operated solenoid valves to control the mains water supply for both fixed and free standing appliances.

typical applications are: drinks dispense, catering boilers, glass washers, showers, air conditioning units, washing machines and dishwashers.

this series of Solenoid Valves is designed to operate on mains supply systems above 0.2 bar. the valves are fully compliant with both water and electrical approval agencies world wide. available in 180° and 90° versions.

Double Solenoid Valves

Technical Specification

Rated Voltage:	220-240Vac, 110-120Vac, 24Vac & 12Vac. others upon request
Operating Pressure Range:	0.2 to 10 bar
Flow Regulator (Optional):	0.25 to 17 Litres/minute
Approvals:	approved by all Major approvals agencies Worldwide. en60730-2-8, UL 429, CSA C22.2 etc.
Terminals:	two 6.35 x 0.8 mm male tab terminals. raSt 5 and raSt 2.5 optional

Technical Specification

Pressure:	0-40 mbr
Temperature:	0-98° C
Medium Orifice:	8mm
Voltage Tolerance:	+/- 10%
Power Consumption:	10W
Duty Cycle:	100%
Flow rate	40 ml/see (144 LPH)
Operating Pressure	0 to 0.1 Bar (0 to 39inch head pressure)
Approvals:	all materials fda approved

AbbeyValve / Mains Water Solenoid Valves

IN STOCK - READY TO DESPATCH

Part Number	Description
MWS24304	S180, 24v aC & dC 1/2" BSPM
MWS90004	S18*230*10*BH
MWS24310	S18*230V* 3/4" BSPM
MWS24300	S18*230*3/8*ind (BSPM)
MWS24302	S180° 12VdC 3W*1/2" ind Valve
MWS90826	S18*230*3/8Jg*3/8Jg
MWS90828	S18*24V*3/8Jg*3/8Jg



High Flow AbbeyValve



The Abbeyvalve High flow Boiler Valve is designed for hot and cold water dispensing systems that require a higher flow rate.

- Low Scale Ptfе Seat
- Quick release clips for easy servicing
- Polysulphone body for low scale and longlife
- fast and controllable flow within a standard size body
- fits common sized boiler grommets for easy field exchange

High Flow Valve

IN STOCK - READY TO DESPATCH

Part Number	Description
ACITRV04B.PS	High-flow Boiler Valve 24VdC

Part number	Description
ACITRV04A.PS	Single High-flow Boiler Valve PSU 12V dC
ACITRV04B.PS	Single High-flow Boiler Valve PSU 24V dC
ACITRV04C.PS	Single High-flow Boiler Valve PSU 230V aC
ACITRV04D.PS	Single High-flow Boiler Valve PSU 110V aC

Technical Specification

Pressure:	0-40 mbr
Temperature:	0-98° C
Outlet ID:	8.5mm
Voltage Tolerance:	+/- 10%
Power Consumption:	10W
Duty Cycle:	50% ed
Flow rate	180 l/hr *all materials fda approved
Operating Pressure	0. to 0.1 Bar (0 to 39inch head pressure)
Approvals:	all materials fda approved nSf Standard 169 Component UL

Pressure Reducing Valves

Mignon Range

Available in sizes 3/8", 1/2", 3/4" and 1". the range is fully WraS approved. it is supplied factory set but can be adjusted via a concealed setting screw. available generally with standard BSP connection but as with all of our Pressure reducing Valves they can be supplied with various fittings and brackets tailored to our customers own specification.



IN STOCK - READY TO DESPATCH

Part Number	Description
RP800.004	1/2" f x 3/4" M, Mignon
RP135A	Mignon 3/8" BSPf - 3.5 Bar

Part number	Size	Settings
RP115A	3/8" f	1.5 Bar
RP135A	3/8" f	3.5 Bar
RP210	1/2" f	1.0 Bar
RP215	1/2" f	1.5 Bar
RP220	1/2" f	2 Bar
RP228A	1/2" f	2.8 Bar
RP235A	1/2" f	3.5 Bar
RP250	1/2" f	5 Bar
RP630	3/4" f	3 Bar

Polymignon Valve

Compact plastic pressure reducing valve for the regulation of air, gas and liquids. flexible, lightweight and robust - with 1/4" BSPf ports.



- Small, compact and lightweight
- 0.5 to 6 bar advisable (2 spring options)
- High capacity
- Maximum inlet pressure 15 bar
- fda and WraS approved material suitable for hot and cold water applications
- Corrosion resistant
- gauge ports
- available with multiple ports including gauge ports or 1 to 3 outlets

Part number	Size
RP802.001/4	1/4" BSP female
ABB1710	1/4" Push-fit

IN STOCK - READY TO DESPATCH

Part Number	Description
RP802.001/4	Polymignon - 1/4" BSPf

Honeywell D04 Pressure Reducing Valve

A range of fully adjustable pressure reducing valves in 1/2" and 3/4". the adjustment spring is not in contact with the potable water and this range can be factory pre-set from 0-6 bar. a full technical sheet is available and the range is WraS approved.

IN STOCK - READY TO DESPATCH

Part Number	Description
ABB1500	15mm Compression PrV
HOND04-1/2A	PrV-1/2" BSPf c/w gauge Port

Pressure Gauge

Part number	Description	Part number	Size
JOU991L23D	1/4" Bottom entry dual Scale 0-160PSi Ø50mm	HOND04-1/2A	1/2" BSP female
		HOND04-3/4A	3/4" BSP female

Watts PRV



IN STOCK - READY TO DESPATCH

Part Number	Description
WATP60	4 Way Plastic PrV, 0-60 PSI

Metalwork - Pressure Reducing Valve



Part number	Pressure Range
MRA402	0-2 Bar
MRA404	0-4 Bar
MRA408	0-8 Bar

Technical Specification

Threads	1/8	1/4
Regulation range in bar	0 - 2	0 - 2
Max inlet pressure	13 bar—(188 psi)	13 bar—(188psi)
Max working temperature A 1 Mpa; 10 bar; 145 ps	50° C	50° f
Gauge port	1/8 BSP	1/8 BSP
Screw for wall fitting	M4	M4

Y Strainers



Brass Y Strainers

Pattern Strainer is a stainless steel perforated strainer element housed in a y pattern bronze body. Standard size 0.4 Microns

Plastic Y Strainers

Compact in-line y strainer, body manufactured from NSF approved plastic, stainless steel screen Standard 100 micron mesh.

IN STOCK - READY TO DESPATCH

Part Number	Description
-------------	-------------

FK41267-002	y Strainer 1/4" Plastic
-------------	-------------------------

Part Number	Size
-------------	------

FK41268-002	Y Strainer 3/8" Plastic
-------------	-------------------------

Non Return Valves

Double Non Return Valves



IN STOCK - READY TO DESPATCH

Part Number	Description
-------------	-------------

BAR172015000	15mm Brass double Check Valve
--------------	-------------------------------

BAR425A10N002	15mm dCV + Shut off
---------------	---------------------

Part number	Description
-------------	-------------

BAR172015000	15 mm Slimline double Check Valve
--------------	-----------------------------------

BAR425AON002	15 mm double Check Valve c/w isolating Valve
--------------	----------------------------------------------

Single Non Return Valve

Part number	Description
-------------	-------------

SCV15	15mm Single check valve Brass
-------	-------------------------------

A comprehensive range of non return Valves are available from stock. Standard Single and double non return Valves are available, along with custom made non return Valve assemblies.

John Guest Non Return Valves



IN STOCK - READY TO DESPATCH

Part Number	Description
-------------	-------------

JG5/16SCV	5/16 Single Check Valve
-----------	-------------------------

JG15DCV	15mm double Check Valve
---------	-------------------------

JG10SCV	10mm Push fit Check Valve
---------	---------------------------

JG1/4SCV	1/4 Single Check Valve
----------	------------------------

JG3/8SCV	3/8 Single Check Valve
----------	------------------------

Part number	Description
-------------	-------------

JG1/4SCV	1/4" Single Check Valve
----------	-------------------------

JG15DCV	15 mm double Check Valve
---------	--------------------------

JG3/8SCV	3/8" Single Check Valve
----------	-------------------------

JG5/16SCV	5/16" Single Check Valve
-----------	--------------------------

JG6SCV	6 mm Single Check Valve
--------	-------------------------

JG10SCV	10 mm Single Check Valve
---------	--------------------------

Custom Made Non Return Valve Assemblies

We can supply a wide range of custom made non return valve assemblies in delrin, brass, plastic or stainless steel.

Please ask our sales team for a quote on your specification.

Non Return Valve Cartridge

We can supply WRAS approved in-line cartridges which can be designed into your own housing or pipe work.

Duckbill Non Return Valve

We can supply duckbill non return valves to meet your requirements.

Non Return Valve Cartridge

IN STOCK - READY TO DESPATCH

Part Number	Description
-------------	-------------

SPVR151600	Check valve 15
------------	----------------

Micro Plastics

Compact non return Valves suitable for use in any position. tested up to 150 PSI and c/w Silicone diaphragm. other sizes and materials available.

Part number	Description
-------------	-------------

MIC19CV0018SN	3/16" non return valve
---------------	------------------------

Stainless Steel Check Valves for Carbonator

Part number	Description
-------------	-------------

FK77-4005-01	S/S double check valve, M x M, no test port
--------------	---------------------------------------------

FK77-4006-01	S/S double check valve, M x f, c/w test port
--------------	----------------------------------------------

Shut Off and Ball Valves

Isolating / Service Valves



Isolating Valve

IN STOCK - READY TO DESPATCH

Part Number	Description
BRA104618	15mm Cx C isolating Valve c/w Handle

Part number	Description
BRA304605	15 mm Brass - screwdriver slot
BRA304609	15 mm Chrome plated - screwdriver slot
BRA104614	15 mm Brass c/w handle
BRA104618	15 mm Chrome c/w handle

Washing Machine Type



Self Cutting Taps

IN STOCK - READY TO DESPATCH

Part Number	Description
CON200	15mm x 3/4" BSP Male Self

Part number	Description
Chrome Plated—15mm Compression to 3/4" BSP	
VEMWMC	Straight
BRA392415	elbow
BRA392419	tee
ABB2200	15mm x 3/4" BSP and nrV



Stopcock

Part number	Description
VEMSC15C	15 mm both ends

Mini Series -
- Chrome Plated Brass Ball Valves

Part number	Description
CP400	f x f Black nylon Lever
CP405	M x f Black nylon Lever

Also Stainless Steel Ball Valves available . Sizes 1/8", 1/4", 3/8" and 3/4".

John Guest Emergency Shut Off Tap



IN STOCK - READY TO DESPATCH

Part Number	Description
JG15ESOT-B	15mm emergency Shut off tap

Water Block



IN STOCK - READY TO DESPATCH

Part Number	Description
HE100041.06	Water Block 3/4BSP x 3/4" BSPf
HE45002	Water Block external reset

Full Bore Ball Valves

Part number	Description
Full flow lever ball valves with a chrome finish	
ALT17102	1/4" lever ball valve
ALT17103	3/8" lever ball valve
ALT17107	1/2" lever ball valve
ALT17105	3/4" lever ball valve
ALT17106	1" lever ball valve

also available are brass ball valves, full bore and British gas approved - c/w lockable handle.

John Guest Range



John Guest - Polypropylene Shut Off Valves

IN STOCK - READY TO DESPATCH

Part Number	Description
JGPPSV500822W	1/4Jg x 1/4nPtF Shut-off Valve
JGPPSV011223W	3/8x 3/8 nPtF Shut off Valve
JGPISV0412S	3/8 Shut off Valve Long Handle
JGPPSV010822W	1/4x1/4 nPtF Shut off Valve
JGPPMSV040606W	6mm Shut off Valves
JGPISV0416S	1/2" Shut off Valve Long
JGPPSV040808W	1/4" Pushfit Shut off Valve
JGPPSV041212W	3/8" Pushfit Shut off Valve
JGPPMSV041010W	10mm Pushfit Shut off Valve
JGPPMSV040808W	8mm Shut off Valve
JGPISV0412CS	3/8 Shut off Valve Short Handle

Part number	Description
Washing Machine Tap	
JG15APTB	15 mm x 3/4" BSP
Service Valve	
JG15ISV	15 mm
Emergency Shut Off Tap	
JG15ESOT	15 mm
Stop Valve	
JG15STV	15 mm
JG22STV	22 mm
Polypropylene Shut Off Valves	
<i>Speedfit to Speedfit Connector</i>	
JGPPSV040808W	1/4" Jg
JGPPSV041212W	3/8" Jg
<i>Speedfit to Male NPTF Adaptor</i>	
JGPPSV010822W	1/4" x 1/4"
JGPPSV011223W	3/8" x 3/8"
<i>Speedfit to female nPtF elbow adaptor</i>	
JGPPSV500822W	1/4" x 1/4"
JGPPSV501222W	3/8" x 3/8"

for volume discounts please contact our sales office: 01367 711 900

Prices subject to change.

Pumps

Abbeychart offers a full range of pumps including the facility to refurbish products to provide an additional life span to your chosen solution. With an industry leading portfolio of pump products we remain the market specialist supporting the beverage, vending, coffee, water and brewery markets.

Booster	Syrup
Rotary Vane	High Pressure
Centrifugal	Miniature
Peristaltic	Bottle Water
Vibration	High Efficiency
Full Pump	Diaphragm
Refurbishment	CO ₂ / Carbonation

ULKA Pump



a small, compact pump capable of generating high pressures of up to 16 bar. its compact body and quiet operation makes it suitable for a number of applications.

Applications include:

- Syrup Pump for vending and post mix
- Espresso Coffee machines
- Carbonation

IN STOCK - READY TO DESPATCH

Part Number	Description
SCIEP8S	eP8S 120v 26w Pump

Part Number	Description
SCIEP5	ULka Pump 230V 48W
SCIEP8S	ULka Pump 120V 26W
IMTFM6000002	180° rubber Mounting Bracket
IMTFM6000008	90° rubber Mounting Bracket
IMTFE14300038	eP5 Vibration Pump 24V 50/60Hz
SCIEP8S	eP8S Pump 120v 26W
VPEX5GW230	eX5gW 230V Vibration Pump

ULKA E and HF series pumps also available.

PI Pump



A highly efficient piston pump which uses both the forward and backward momentum of the piston to achieve an output of 1200ml/min with a 16 watt power consumption.

IN STOCK - READY TO DESPATCH

Part Number	Description
HE21010	Pi PUMP 230V 50HZ With BooSter

Part Number	Description
HE21011	110V Pi Solenoid Pump
HE21010	230V PiPump-booster

Drain Pumps

Pumps for domestic appliances, they offer low cost and quality solutions to cold water pumping and re-circulation applications. Commonly used in washing machines.

Capacity 27 litres per minute at 1 metre head.

Minimum order quantities apply.

Part Number	Description
HE02110	ascoll 230V 50Hz pump only Pump Model 58894
HE02108	ascoll Pump Model 65787 c/w head and bracket

Other voltages available - please enquire

for volume discounts please contact our sales office: 01367 711 900

Prices subject to change.

SHURfloElectricPumps



AC Diaphragm Pump

diaphragm pump is designed for the dispensing of BiB syrups, wine, teas and juices.

Syrup Pump

gas powered syrup pumps of superior performance and reliability.

Brix Pump

Brix pump is a proportioning device which pumps two liquids (e.g. water and concentrate) in an exact ratio. the ratio is maintained precisely, independent of system flow or pressure changes, with no need to regularly readjust brix at the dispensing valve.

IN STOCK - READY TO DESPATCH

Part Number	Description
SHU8008-902-355	230VaC diaphragm Pump
SUF002	Shurflo Syrup Pump

Part Number	Description
SHU8008-902-355	230v aC diaphragm Pump with SHURfit connection
SUF002	Syrup Pump 166/296/28
SUF003	Brix Pump - 5:1 ratio
SUF9426006	Brix Pump - 6:1 ratio

A wide range of SHURflo pumps available. Please contact us for details.

Bottle Water Pump



A compact system for dispensing bottled water. float switch for auto shut off. Built in non return valve to prevent back flow. Positive displacement flojet pump.

IN STOCK - READY TO DESPATCH

Part Number	Description
FLO001/EUR	240v flojet Bottled Water Pump
FLO001/UK-3/8	240v flojet Bottled Water Pump
FLO001/UK	240v flojet Bottled Water Pump
CBW2500	220v Bottled Water Pump c/w
CBW2300	220v euro Bottled Water Pump c/w

Part Number	Description	Voltage	Max Flow	Max Pressure
FLO001/UK	240V flojet Bottled Water Pump	23050/60Hz	3.8L/min	2.8 Bar
ABB1074/C	flojet Water Booster Pump kit 1/4" Jg or 3/8" Jg in/out	23050/60Hz	3.8L/min	2.8 Bar

order online www.abbeychart.co.uk

Rotary Vane Pumps



From nU.er.t a full range of pumps suitable for carbonation, re-circulation, espresso coffee machines, water filtration, reverse osmosis and industrial cooling. Maximum capacity 1080 l/hr and maximum pressure 18 bar

Brass Rotary Valve Steel Pumps

IN STOCK - READY TO DESPATCH	
Part Number	Description
PR3BZ	Brass 300L/H-Balanced By Pass
PR1AZ	100 Litres Per Hour rotary
PR3ASX	S/Steel 300 l/h
PR2AZ	Brass 200L/H-Balanced By Pass

Stainless Rotary Valve Steel Pumps

Part Number	Description	Capacity
Stainless Steel		
PR1ASX	Stainless Steel Pump	100 l/hr
PR2ASX	Stainless Steel Pump	200 l/hr
PR3ASX	Stainless Steel Pump	300 l/hr
PR4ASX	Stainless Steel Pump	400 l/hr

Part Number	Description	Capacity
Brass Pumps		
PR1AS	Standard by-pass	100 l/hr
PR1AZ	Balance by-pass	100l/hr
PR2AS	Std	200l/hr
PR2AZ	Balance by-pass	200 l/hr
PR3AS	Std	300 l/hr
PR3BZ	Balanceby-passwithfilter	300 l/hr
PR4AS	Std	400 l/hr
PR6BZ	Balanceby-passwithfilter	600 l/hr
Brass Mini Pump		
PRM15AZ	Balance by-pass	150 l/hr

all Pumps can be preset to customer requirements at no extra costs.
also available Viton Seal Pumps for more aggressive medium.
full technical specification available on request. other models are also available.

for volume discounts please contact our sales office: 01367 711 900

Prices subject to change.

CO2 Pumps



IN STOCK - READY TO DESPATCH

Part Number	Description
FK5000-130	flojet Pump w/auto S/o+Plast

Booster Pumps with Automatic Shut Of f



Diaphragm booster pump Flojetwaterboosterpump

a self contained diaphragm pump, fitted with pressure switch, mounted in asturdy steel box complete with external John guest connections and 13 amp lead.

IN STOCK - READY TO DESPATCH

Part Number	Description
ABB1074/C-UK	flojet Water Booster Pump - Uk
ABB800/SHU	Booster Unit 3/8" Jg (in/out)

Part Number	Description
ABB1314	3/4" BSPM fitting kit for aBB800/SHU Boxed Booster Unit

order online www.abbeychart.co.uk

Peristaltic Pumps



Peristaltic pumps are one of the oldest methods of pumping and the way in which they operate is quite simple. a rotor with 2 or more rollers squeezes a tube held in a captive 'horse shoe' U shape.

Specification

- 3 Models: PeriPump 1, 2 & 3
- 2 or 3 roller options
- either a continuous 'wrap around' or 'cut & fitted' type adapter for tubing
- tube for 'wrap around' (continuous) application **Not supplied**
- 4 sizes of tubes available
- recommended tubing shore hardness: 45a, 55a or 64a
- Maximum 240rPM recommended for pumping units. Various speeds are held in stock. Contact us for details
- temperature ratings: liquid: 0 - 60° C ambient: 5 - 65° C)
- all pump head components: plastic (glass - filled polycarbonate)

Advantages

- the ability to monitor the volume of liquid pumped with accuracy.
- Positive displacement.
- Self-priming.
- Pump wet or dry.
- Pump without contaminating the liquid

Mini DC Pumps



Low noise, high temperature miniature dC pumps. Suitable for coffee, tea and water dispense applications.

Advantages

- Brushless Magnetic drive
- Low noise
- High temperature operation up to 100° C
- energy efficient
- 30,000 Hour Life

for volume discounts please contact our sales office: **01367 711 900**

Prices subject to change.

fittings and accessories

An extensive range of plastic, stainless steel and brass fittings. Abbeychart distribute for many manufacturers including John Guest.

Silicone Tubing

Hoses

John Guest Fittings

Plumbing Fittings

Sealant

Clips

Silicone Tubing

Abbeychart has for many years, been at the forefront of this market supplying a comprehensive range of silicone rubber products which are now used in hugely diverse applications—from the automotive, vending and aeronautics industries to pharmaceutical and food processing. We are pleased to offer a full range of products made in silicone.

Tubing



A comprehensive range of tubing, with bore sizes from 0.5 mm up to 180mm, meets the demands of practically any application. Manufactured to BS2848 the smallest tubing manufactured is most commonly used as electrical sleeving, whilst midrange sizes are generally used to carry liquids and powders within the food processing, and pharmaceutical industries.

We offer a wide selection of Water Council (WraS), national Sanitation foundation (nSf) and food and drug administration (fda) approved materials for use specifically within hygiene-critical applications.

Many approved colours are available and we can also supply twin tubing. increasingly, new generation platinum is the preferred material that gives excellent resistance to taste and taint or alternatively also available is general purpose silicone that is cured with a special long cure technique. Shore hardness available from 40° to 70°. a standard range of translucent and coloured tubing is available ex-stock. Please ask our sales team to quote for your specific needs and quantities. We can supply in all sizes with increments of 0.1mm.

for volume discounts please contact our sales office: 01367 711 900

Prices subject to change.

Braided and Mandrel Built Hoses

Abbeychart have for many years supplied braided silicone hose, first introducing this rugged product to the UK at a time when existing non-silicone hoses were failing to perform. this range has been extended and complemented with the addition of mandrel built hoses, so that customers can now choose from 3mm bore to 101mm bore. Standard braided hoses are available in 3mm to 25mm bore size

whilst the mandrel built hoses range from 12.5 mm to 101 mm bore, with wire helix for vacuum applications and without for standard pressure requirements. although products held in stock are predominantly translucent, primarily to meet the demands of the food and beverage industries, other colours are available on request.

Silicone Profiles, Gaskets & Mouldings

Extruded Sections and Profiles

Particular attention to detail plays a vital role in the manufacture of extruded sections and profiles. Various applications demand different tolerance control and specific performance from the extrudates. We take a keen interest in the intended use of products to ensure that they are always suitable in terms of dimensional stability, shore hardness, accuracy and colour matching when required, and that the most suitable compounds are used. an almost infinite range of sections and profiles are available in all the usual grades of silicones i.e. food grades, flame retardant, high and low temperature and steam resistant grades, etc.



Mouldings

From simple 'o' rings to intricate precision mouldings, Abbeychart uses only quality materials and tooling to guarantee peak performance of components. Whether a 'one off' or high volume production, abbeychart is able to cater across all compound ranges. attention to detail on tool design enhances the appearance and quality of finished articles. it also ensures that air traps, defects and excessive flash never occur.

Mouldings

IN STOCK - READY TO DESPATCH	
Part Number	Description
HE37831	translucent Boiler Port Seal to suit 16mm hole
SIL5454	11.4mmid Boiler grommet
SIL5452	Blank Boiler grommet
HE467	dispense Valve Seal Bung

order online www.abbeychart.co.uk

Hose, Tube and Ducting

John Guest Compatible Tubing (LLDPE)



other sizes available on request

	Part Number	Colours
1/4" od (0.17" id)	JGPE08BI0500F	natural, Blue, red, Black & White, green, yellow, orange & Violet
5/16" od (0.187" id)	JGPE10CI0500F	natural, Blue, red & Black
3/8" od (0.25" id)	JGPE12EI0500F	natural, Blue, red, Black & White, yellow, orange & Violet
6mm od (4mm id)	JGPE06O40100M (Supplied in 100 m coils)	natural, Blue, red & Black
8mm od (6mm id)	JGPE08O6100M	natural, Blue, Black & White
10mm od (7mm id)	JGPE10O7100M	natural, Blue, red & Black

Nylon Tube (Supplied in 500ft coils)



Part Number	OD mm	ID mm
JGMNTUB06	6.0	4.0
JGMNTUB10	10.0	7.0
JGMNTUB12	12.0	8.5
JGMNTUB22N	details on application	

Ducting Hose (30m Coil)

Part Number	ID mm
PAR571	38 mm Black
BOS540654	32 mm Black
PAR490	22 mm Black

PVC Braided Tubing—Food Grade (30m Coil)

Part Number	OD mm	ID mm
PAR544	23	16

Clear PVC Tubing Food Quality (30m Coil)

Part Number	OD mm	ID mm
PAR472	8.0	5.0
PAR474	9.0	6.0
PAR513	12.0	8.0

Reinforced Water Tubing (30m Coil)

Part Number	Description	ID mm
PAR569A	Wire reinforced clear	16

Beer Tubing (30m Coil)

Part Number	OD mm	Colour
PPP108	5/16"	natural

John Guest LLDPE (30m Coil)

IN STOCK - READY TO DESPATCH	
Part Number	Description
ABB1166	3/8" Jg tube blue cut to 30M

for volume discounts please contact our sales office: 01367 711 900

Prices subject to change.

Washers, Gaskets

The fabrication department at Abbeychart has an extensive range of cutting machinery for gaskets cut from solid and sponge sheet, and for cutting tubing into washers and sleeves. excellent tolerance bands on dimensional aspects are guaranteed whether small or high volume.

We also manufacture joined seals from extruded sections and cords, together with a variety of special fabrications and assemblies, sometimes incorporating non-silicone items i.e. valves, connectors, etc.

IN STOCK - READY TO DESPATCH

Part Number	Description
BW003	14.7x9.3x2.4mm fibre Washer



Food Quality Hose Assemblies



Abbeychart manufactures a range of flexible hose assemblies ready for immediate installation between any free standing appliance and water supply. all assemblies are manufactured according to individual customer requirements using carefully selected components for a safe and taint free installation. typical applications include vending machines, coffee brewers and water softeners.

Hose Material:	Hydravent co-extrusion of polyester liner and PVC outer.
Lengths:	100 mm—3000 mm
Bore Sizes:	ø6 mm—ø19 mm
Working Pressure:	10 bar at 20° C
Burst Pressure:	60 bar at 20° C subject to end fitting.
Angle:	90° or 180°
End fittings:	Brass, nickel plated, nylon or polypropylene
Sizes:	1/4, 3/8, 1/2, 3/4, 1, 1 1/4 (M6-M12)
Washers:	Silicone, ePdM

IN STOCK - READY TO DESPATCH

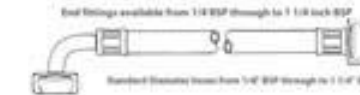
Part Number	Description
HEH61019	10aQ2000*erZ34P*frZ34P
HEH61082	10aQ2000*erP34P*frP34P
HEH61003	10aQ1500*erP34P*SMB15
ABB354/A	Stimline dCV Hose assy
HEH61001	10aQ1000*erP34P*frP34P
HEH61015	10aQ1500*erP34P*frP34P

10AQ =	Hose id
1500 =	Hose length
ERZ =	Zinc plated elbow
ERP =	Plastic elbow
34P =	Plastic 3/4" nut
SMB15 =	15mm standpipe

Part Number	Description	Length
HEH61003	3/4" BSPf elbow x 15mm Standpipe	1.5m
HEH61012	3/4" BSPf elbow x 3/4" BSPf Straight	370 mm
HEH61013	1/2" BSPf Straight x 1/2" BSPf Straight	2m
HEH61015	3/4" BSPf Straight x 3/4" BSPf elbow	1.5m
HEH61082	3/4" BSPf Straight x 3/4" BSPf elbow	2m
HEH67011	3/8" female Coned Straight x 3/8" female Coned Straight Stainless Steel	1.5m

Typical Hose Assemblies

all hose assemblies are manufactured in accordance with U. k. water authorities.



order online www.abbeychart.co.uk

The Hydravend Food Quality Hose



The Hydravend series of food quality hose is the ultimate in conveyance of mains water, incorporating the latest in co-extrusion technology. the polyester liner has been selected for its mirror smooth finish and ability to prevent tainting after extrusion. it is fused together with an fda approved PVC outer. the Hydravend series is manufactured under unique quality controls which enable us to offer a guarantee against tainting for all potable water applications in vending machines, water filtration and water softeners.

- Mirror smooth inner layer for improved flow rates which is separately fused to fda approved flexible PVC material
- Will not support microbiological growth—WraS approved material
- extruded with brilliant white finish to monitor cleanliness
- High resistance to abrasion
- Braided with polyester fibre with optimum braid angles to resist elongation/shrinkage under pressure
- flexible and kink resistant
- Manufactured to BS en iSo 9002 Quality assurance standard

IN STOCK - READY TO DESPATCH

Part Number	Description
HE07102	Hydravend 10, 10mmid x 16mmod

Part Number	Description	Coil length Metres	I.D.	O.D.	Working Pressure at 20°C Bar	Burst Pressure at 20°C Bar	Maximum working temp. at 3 Bar
HE07100	Hydravend 6	30	6.3	12	10	80	80
HE07103	Hydravend 12	30	12.5	19	10	44	44
HE07104	Hydravend 19	30	19	26	10	39	39

Hose Clamps

IN STOCK - READY TO DESPATCH

Part Number	Description
UNE12	Unex Clips no.12
UNE17	Unex Clips no.17

PTFE Tubing

IN STOCK - READY TO DESPATCH

Part Number	Description
POL4100400100	4mmid x 6mmod Ptfе tubing

for volume discounts please contact our sales office: 01367 711 900

Prices subject to change.

Braided Hoses and Washing Machine Hoses

Stainless Steel Hose Range



A range of High quality hoses for use in hot or cold applications.

- Hoses are manufactured with an ePDM liner and stainless steel
- or nylon coating
- Maximum operating pressure is 10 bar
- Maximum operating temperature 90°C
- Minimum operating temperature 0°C
- Various lengths of hose—made to your specifications
- Small minimum order quantities
- full WraS, nSf and european approvals
- 8mm, 10mm and 13mm id tubes amongst others

FLTPCHOSE

Copper

Soft Coiled Copper Tube

Soft coiled refrigeration grade copper tubes suitable for refrigeration and air-conditioning installations.



Hard Drawn Copper Tube

Hard drawn refrigeration grade copper tube. Suitable for all refrigerants, suitable for use on large refrigeration and air-conditioning installations.



For more information contact our sales office: 01367 711 900

order online www.abbeychart.co.uk

Typical Hose Assemblies

Part Number	Description
HEH67037	Stainless Steel Braided Hose - Length: 1.5 metres fittings: 3/8" female Swivel elbow flat face x 3/8" female Swivel Straight flat face
HEH67007	Stainless Steel Braided Hose - Length: 1 metres fittings: 3/4" female Swivel Straight With retained Washer x 3/4" female Swivel elbow With retained Washer
MRG8	Stainless Steel Braided Hose - Length: 1.5 metres fittings: 3/4" female Swivel elbow x 3/4" female Swivel Straight
MRGX2544ID1500	Stainless Steel Braided Hose - Length: 1.5 metres fittings: 1/2" female Swivel elbow x 3/4" female Swivel Straight
MRGX131D1500	Stainless Steel Braided Hose - Length: 1.5 metres fittings: 3/4" female Swivel elbow x 3/4" female Swivel Straight

Washing Machine Hoses.

Red and blue flexible washing machine hose for domestic use with hot and cold water.
Full WRAS approval

Typical Hose Assemblies

Part Number	Description
HEH06001	Blue Washing Machine Hose, 1.5m, 3/4" BSPf elbow x Straight
HEH06002	red Washing Machine Hose, 1.5m, 3/4" BSPf elbow x Straight
HEH06003	Blue Washing Machine Hose, 2.5m, 3/4" BSPf elbow x Straight

This is a small selection of our vast range.
We can supply a large amount of variations - any length, a wide range of fittings, and no minimum order quantities.
Talk to our Sales Staff about your requirements.

Hose Fittings

An extensive range of brass and plastic hose fittings for a wide variety of applications where self assembly is the preferred option.

All fittings are designed and manufactured to conform with standards set by the U.K. water authority (WRAS)

The fittings shown are the more popular standard sizes. They represent only a part of our extensive range.

Swivel Nuts



IN STOCK - READY TO DESPATCH

Part Number	Description
HE41800	3/4" BSPf nylon nut (19mm Back)

Part Number	Thread Size	Back Hole ø (A)	Material
HE41800	3/4 BSP	19	
HE41808	3/4 BSP	21	
HE39009	3/4 BSP	19	
HE39017	1/2 BSP	15.6	
HE41172	1/2 BSP	16.5	
HE39002	3/8 BSP	-	
HE39001	1/4 BSP	9.7	

Elbow Insert



IN STOCK - READY TO DESPATCH

Part Number	Description
HE41802	eLB:3/4*ret*11.0 nyL W/WaSher

Retained Nylon 3/4" elbow with 11mm Barb C/W washer

Part Number	Nut Size	Barb mm	O.D. Inch	Material
HE41900 (retained)	3/4	19	3/4	nylon
HE41802 (retained)	3/4	11	3/8	nylon
HE41804 (retained)	3/4	13	1/2	nylon
HE39509 (retained)	3/4	6	1/4	Brass
HE39526 (retained)	3/4	10	3/8	Brass
HE39512 (retained)	3/8	10	3/8	Brass

Straight Inserts

IN STOCK - READY TO DESPATCH

Part Number	Description
HE41801	Str:3/4"ret*11.0 nyL W/WaSHer 3/4" retained nylon straight with 11mm barb C/W washer



Part Number	Nut Size	Barb mm	O.D. Inch	Material
HE41801 (retained)	3/4	11	3/8	nylon
HE41805 (retained)	3/4	13	1/2	nylon
HE39206 (retained)	3/4	10	3/8	Brass
HE39249	3/4	8	5/16	Brass
HE39226	1/2	10	3/8	Brass
HE39240	3/8	10	3/8	Brass

Standpipes

IN STOCK - READY TO DESPATCH

Part Number	Description
HE43012	3/4" BSPf x 15mm Standpipe
HE39809	3/4" BSPM x 15mm Standpipe - dZr
EUR411	3/8 Barbed x 15mm Stem adaptor



Part Number	Nut Size	Barb mm	O.D. Inch	Material
HE39109	3/8	10	3/8	Brass
HE39104	22mm	19	3/4	Brass
EUR411	15mm SteM	10	3/8	Brass
HE39105	10mm SteM	10	3/8	Brass



Male Inserts



Part Number	Thread ø	Barb mm	O.D. Inch	Material
WGE287	1/2 BSPT	6	1/4	Brass
WGE720	1/2 BSPT	10	3/8	Brass
WGE202	3/8 BSPT	10	3/8	Brass
WGE299	3/8 BSPT	8	5/16	Brass
WGE401	3/8 BSPT	11	7/16	Brass

Washers



IN STOCK - READY TO DESPATCH

Part Number	Description
HE09003	3/4" White Silicone Washer

Part Number	Description
HE09000	3/4" filter Washer
HE09003	24 mm od 12 mm id White Silicone
HE09001	3/4" Black nitrile Washer

Misc Adaptors

IN STOCK - READY TO DESPATCH

Part Number	Description
HE43088	3/4 BSPf x 5/16(8mm)
WGE602/A	3/8 BSP Male x 3/4 BSP female
HE43073	3/4" BSPf x 3/8" Jg adaptor
FLTSFIT	3/4" BSP M x 3/8" Male taper
ABB212	3/4" BSPf nut + Washer x 3/8"
ABB728	3/4" BSPM x 1/4" John guest
FLT1157598	3/8" Stem to 3/4 Male thread
HE43063	1/4Jg x 3/4BSPf adaptor
ABB893	3/4" BSPM x 3/8" Jg Pushfit
ABB1632	3/4" BSP female to 3/8" Jg elbow
EVE31PN08	3/4" BSPM x 3/4" BSPM Hex
EVE1101206	3/4 BSPM x 3/8 BSPf Bush



Oetiker Clips

Oetiker 1 Ear Clamps (Stainless Steel)



This list is a small selection of what we supply, bigger and smaller clamps are also available, ask our Sales office for more information

Part Number	mm
OET10.0-505R	8.3 - 10mm
OET10.5-505R	8.8 - 10.5mm
OET11.3-505R	9.6 - 11.3mm
OET12.3-706R	9.8 - 12.3mm
OET13.3-706R	10.8 - 13.3mm
OET13.8-706R	11.3 - 13.8mm
OET14.0-706R	11.5 - 14.0mm
OET14.5-706R	12 - 14.5mm
OET17.0-706R	14.5 - 17.0mm

Oetiker 1 Ear Clamps with Inserts (Stainless Steel)



This list is a small selection of what we supply, bigger and smaller clamps are also available, ask our Sales office for more information

Part Number	mm
OET9.0RER	7 - 8.5mm
OET9.5RER	7.5 - 9mm
OET10.0RER	8 - 9.5mm
OET10.5RER	8.5 - 10mm
OET11.0RER	8.8 - 10.5mm
OET11.3RER	9.1 - 10.8mm
OET11.8RER	9.6 - 11.3mm
OET12.0RER	9.5 - 11.5mm
OET12.3RER	9.8 - 11.8mm
OET12.8RER	10.3 - 12.3mm
OET13.3RER	10.6 - 12.6mm
OET13.8RER	11.1 - 13.1mm

Unex Hose Clips

Unex Standard—stainless steel band, screw and bush

IN STOCK - READY TO DESPATCH

Part Number	Description
UNE14	tyPe“d”(withscrewslothead)
UNE12	tyPe“d”(withscrewslothead)
UNE17	tyPe“d”(withscrewslothead)

TYPE“D” (with screw slot head)		TYPE“H” (with stainless steel cap)	
Part Number		Part Number	
UNE10	UNE12	UNE17H	UNE19H
UNE14	UNE17	UNE22H	
UNE19			
UNE27			

All of the above are available in minimum order quantities of 10

for volume discounts please contact our sales office: 01367 711 900

Prices subject to change.

Worm Drive Clamps (Mild Steel - Zinc Plated)



IN STOCK - READY TO DESPATCH

Part Number	Description
OETMS16-25	min 16mm, max 27mm

Part Number	Min mm	Max mm
OETMS8-16	10	16
OETMS12-20	12	22

all of the above are available in quantities of 100. full technical information available on request.

Oetiker 2 Ear Clamps (Stainless Steel)



IN STOCK - READY TO DESPATCH

Part Number	Description
OET-1517	min 15mm, max 17mm

Part Number	Min mm	Min mm
OET-0507	5	7
OET-0811	8	11
OET-1113	11	13
OET-1315	13	15
OET-1720	17	20
OET-1922R	18.1	22

Oetiker Clamp Pliers



IN STOCK - READY TO DESPATCH

Part Number	Description
OET1	oetiker Pliers

Part Number	Description
OET2	Side Closing Pincer

Order online www.abbeychart.co.uk

Oetiker 1 Ear Stepless Clamps (Stainless Steel)



This list is a small selection of what we supply, bigger and smaller clamps are also available, ask our Sales office for more information.

IN STOCK - READY TO DESPATCH

Part Number Description

OET17.0-706R min 14.5mm, max 17.0mm

Oetiker Clips

Part Number	Description
OET13.3-706R	10.8mm-13.3mm 1ear Stepless SS
OET10.5-505R	8.8mm-10.5mm 1ear Stepless S/S
OET14.0-706R	11.5mm-14.0mm 1ear Stepless SS
OET14.5-706R	12.0mm-14.5mm 1ear Stepless SS

Plastic / Nylon Fittings



IN STOCK - READY TO DESPATCH

Part Number	Description
BARBS1414	1/4" Straight
BARBS3838	3/8" Straight
BARBS3814	1/4" x 3/8" Straight
BARBE1414	1/4" elbow
BARBE3838	3/8" elbow
BARBT141414	1/4" tee
BARBT383838	3/8" tee
BARBT381438	3/8" running 1/4" Branch tee
BARBY383838	3/8" y
BARBY381438	3/8" running 1/4" Branch y

John Guest Fittings Popular Choice Items Ex-stock

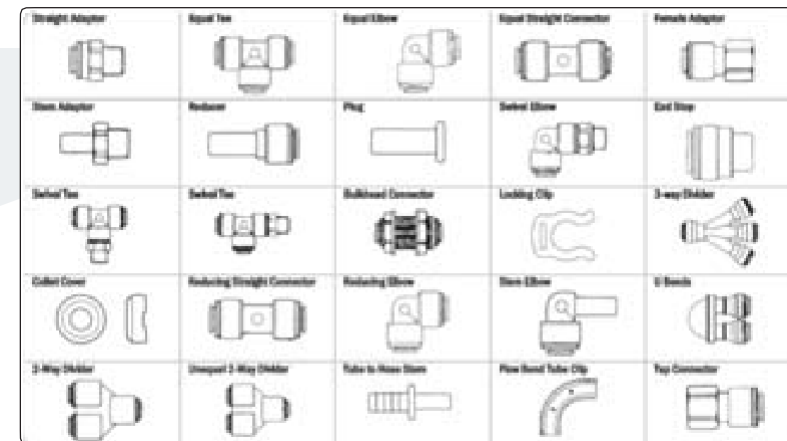


We offer the full John Guest range
John Guest have a worldwide reputation as a quality manufacturer of push-in fittings.

Choosing the right range

- PI Range** A range of imperial size fittings for potable liquids and inert gases, in grey acetal copolymer.
- Check Valve** Super Speedfit Single Check Valve
- CI Range** A range of imperial size fittings in white acetal, especially suitable for water applications. (Packed in min. quantity 100)
- PFM/PP Range** Metric/imperial size fittings in white polypropylene for water purification.

- Shut Off Valves**
- Superseal** Fittings designed to provide extra grip on hard steel, stainless steel and other polished metal tubing.
- PM Range** Metric size fittings for potable liquids and inert gases in black acetal copolymer.
- Accessories** Collet Covers, tube Cutters and Pipe Cutters.
- LLDPETubing** Linear Low density Polyethylene tube for potable water.



supplied in bags of 10. All are reusable and no tools are needed. Listed is a small selection of the John Guest products lines. Technical details and full John Guest catalogues available on request.



PI211008S



PI221208S



JGPEM221515W



PM251008E



JGSI030812S



PI251208S



PM210806E



PM221010E

Reducing Elbow

IN STOCK - READY TO DESPATCH

Part Number	Description
PI211008S	5/16 x 1/4 reducing elbow
JGSI030812S	1/4 x 3/8 Superseal elbow
PI211208S	3/8" x 1/4" Pushfit reducing
PI211612S	1/2 x 3/8 reducing elbow
PI211210S	3/8 x 5/16 reducing elbow
PM210806E	8mm x 6mm reducing elbow

Equal Elbow

IN STOCK - READY TO DESPATCH

Part Number	Description
JGPEM221515W	15mm x 15mm twist Stem elbow
JGPP221212W	3/8x3/8 Stem elbow
PM221212E	12mm Stem elbow
PI221212S	3/8 x 3/8 Stem elbow
PM221010E	10mm Stem elbow
PM220808E	8mm Stem elbow
PM220808S	5/16 x 5/16 Stem elbow
PI220808S	1/4" Pushfit x 1/4" Stem elbow
PI221616S	1/2 x 1/2 Stem elbow
PM220606E	6mm Stem elbow
PI221208S	3/8 x 1/4 Stem elbow
PI221210S	3/8 x 5/16 Stem elbow

Tube to Hose

IN STOCK - READY TO DESPATCH

Part Number	Description
PM251008E	10mm x 8mm tube to Hose Stem
PI251210S	3/8 x 5/16 tube to Hose Stem
PI251208S	3/8 x 1/4 tube to Hose Stem
PI251212S	3/8 x 3/8 tube to Hose Stem
PI251616S	1/2" x 1/2" tube to Hose Stem
PI251216S	3/8 x 1/2 tube to Hose Stem
PM250808S	5/16 x 5/16 tube to Hose Stm



PM010602E



PI4612S



PI131012S



PI2316S



PI011212S



PM011014E



PM010811E



PM090611E

Straight Adaptor - BSP

IN STOCK - READY TO DESPATCH

Part Number	Description
PM010602E	6mm x 1/4 Straight adapt tt
PM011013E	10mm x 3/8 Straight adapt Pt
JGCM011514S	15mmx1/2BSP Straight adaptor
PM011516E	15mm x 3/4 Straight adapt Pt
PM011012E	10mm x 1/4 Straight adapt Pt
PI010812S	1/4" Pushfit x 1/4" BSP Male
PM010812E	8mm Pushfit x 1/4" BSP Male
PI011212S	3/8" Pushfit x 1/4" BSP Male
PM010612E	6mm x 1/4 Straight adapt Pt
PM011014E	10mm x 1/2BSPM Straight adapt
PM010611E	6mm x 1/8 Straight adapt Pt
PM010813E	8mm x 3/8 Straight adapt Pt
PM011213E	12mm x 3/8 Straight adapt Pt
PM011214E	12mm x 1/2 Straight adapt Pt
PM010802E	8mm x 1/4 Straight adapt tt
PM012216E	22mm x 3/4 Straight adapt Pt
PM010811E	8mm x 1/8 Straight adapt Pt

End Stop

IN STOCK - READY TO DESPATCH

Part Number	Description
PI4612S	3/8 end Stop

Enlarger Connector

IN STOCK - READY TO DESPATCH

Part Number	Description
PI131012S	5/16 x 3/8 enlarger

Dividers

IN STOCK - READY TO DESPATCH

Part Number	Description
PI2316S	1/2" equal divider
PI2312S	3/8 x 2-Way divider

Swivel Elbow

IN STOCK - READY TO DESPATCH

Part Number	Description
PM090611E	6mm x 1/8 Swivel elbow Pt
PM090812E	8mm x 1/4 Swivel elbow Pt



Equal Tee Piece

IN STOCK - READY TO DESPATCH

Part Number	Description
PM0206E	6mm equal tee
PM0208S	5/16 equal tee
PI0212S	3/8 equal tee
JGPEM0215W	15mm equal twist tee
PM0208E	8mm equal tee
PM0215E	15mm equal tee
PI0216S	1/2 equal tee
PM0210E	10mm equal tee
PM0212E	12mm equal tee
PI0208S	1/4 equal tee

Unequal Tee

IN STOCK - READY TO DESPATCH

Part Number	Description
JGNC869	15mm x 15mm x 3/8 tee Piece
JGASV3	15mm x 15mm x 1/4" Pushfit tee and shut off
PI301612S	1/2 x 3/8 reducing tee
PI301208S	reducing tee 3/8" ends x 1/4" branch
JGASV4	15mm x 15mm x 3/8" Pushfit tee

Stem Adaptor - BSPT

IN STOCK - READY TO DESPATCH

Part Number	Description
PI051202S	1/4" BSP M x 3/8 Stem adapter

Bulkhead

IN STOCK - READY TO DESPATCH

Part Number	Description
JGPP1212W	3/8" Bulkhead Connector
PM1212E	12mm Bulkhead Connector
PI1216S	1/2 Bulkhead Connector
PI1212S	3/8 Bulkhead Connector
PI1208S	1/4 Bulkhead Connector
PM1208E	8mm Bulkhead Connector



Female Adaptor/Coupler - BSP

IN STOCK - READY TO DESPATCH

Part Number	Description
JGCM451214FS	12mm x 1/2BSP female adaptor
JGPSE3201W	15mm x 1/2" BSP female Coupler
PM450813E	8mm Pushfit x 3/8" BSP female
PM450812E	8mm Pushfit x 1/4" BSP female
JGCM320616E	3/4" BSP female x 6mm Pushfit
PI451213S	3/8" BSPf x 3/8" Pushfit
PI451214FS	3/8" Pushfit x 1/2" BSP female
JGCM32081	3/4" BSP female x 8mm Pushfit
JGPSE3203W	1/2" BSP female x 1/2" Pushfit
PI451014FS	15mm x 3/4" BSP female Coupler
JGCM321014E	5/16 x 1/2 female adp Pt BSP
JGNC2249	10mmx1/2BSP tap adaptor
PI451214CS	3/4" BSPf x 3/8" Push fit
PM450612E	3/8 x 1/2 female adp Pt Ce 6mm x 1/4 female adaptor

Equal Elbow

IN STOCK - READY TO DESPATCH

Part Number	Description
JGPP0308W	1/4 equal elbow
PM0310E	10mm equal elbow
PM0308E	8mm equal elbow
PI0316S	1/2 equal elbow
PM0315E	15mm equal elbow
PI0308S	1/4 equal elbow
JGSI031212S	3/8 x 3/8 Superseal elbow
PI0312S	3/8 equal elbow
PM0312E	12mm equal elbow
PM0308S	5/16 equal elbow
JGPEM0322W	22mm Speed fit elbow
JGPEM0315W	15mm twist elbow
PM0306E	6mm equal elbow



JGSVMC-06

Mounting Clip

IN STOCK - READY TO DESPATCH

Part Number	Description
JGSVMC-06	Mounting Clip for 1/4" & 6mm
JGSVMC-10	Mounting Clip for 3/8" Valve



JGPPSV500822W

Shut off Valve

IN STOCK - READY TO DESPATCH

Part Number	Description
JGPPSV500822W	1/4Jg x 1/4nPtf Shut-off Valve
JGPPSV011223W	3/8x 3/8 nPtf Shut off Valve
JGPISV0412S	3/8 Shut off Valve Long Han
JGPPSV010822W	1/4x1/4 nPtf Shut off Valve
JGPPMV040606W	6mm Shut off Valve
JGPISV0416S	1/2" Shut off Valve Long
JGPPSV040808W	1/4" Pushfit Shut off Valve
JGPPSV041212W	3/8" Pushfit Shut off Valve
JGPPMV041010W	10mm Pushfit Shut off Valve
JGPPMV040808W	8mm Shut off Valve
JGPISV0412CS	3/8 Shut off Valve Short Han



JGTS1250S

Tube Insert

IN STOCK - READY TO DESPATCH

Part Number	Description
JGTS1250S	tube insert for 1/4" id tubing



JGPPMSV040808W

Stem to Tube Adaptor

IN STOCK - READY TO DESPATCH

Part Number	Description
JGNC2164	15mm x 3/8" Stem to tube
PM061510E	15mm Stem x 10mm Pushfit



JGPISV0416S

Locking Clip

IN STOCK - READY TO DESPATCH

Part Number	Description
PMC1808R	5/16" Locking Clip - red
PIC1812R	3/8 Locking Clip
PIC1808R	1/4 Locking Clip



JGPEM0315W

Stem to Stem Adaptor

IN STOCK - READY TO DESPATCH

Part Number	Description
JGNC478	15mmx3/8Stem Piece



PIO206S

Reducing Straight Connector

IN STOCK - READY TO DESPATCH

Part Number	Description
PM200806E	8mm x 6mm Straight
JGNC2511	15mm : 3/8" Unequal Pushfit
PI201210S	3/8 x 5/16 red Str Connector
PI201008S	5/16"x1/4" Pushfit reducing
PI201208S	3/8"x1/4" Pushfit reducing
JGNC462	15mm Pushfit x 1/2" Pushfit
PI201612S	1/2 x 3/8 red Str Connector
JGSI041012S	5/16 x 3/8 S/Seal Straight

Straight Adaptor - BSPT

IN STOCK - READY TO DESPATCH

Part Number	Description
PM011002E	10mm Pushfit x 1/4" BSPT Male
PI011203S	3/8" Push x 3/8" BSPT Straight
PI011202S	3/8 X 1/4 Str. adapt tt
PI011604S	1/2 x 1/2 Str. adaptor
PI010802S	1/4" Pushfit x 1/4" BSPT Male
PM010802S	5/16"o/d x 1/4"BSPT Straight
PI010801S	1/4" Pushfit x 1/8" BSPT Male
PM011203E	12mm x 3/8 Straight adapt Pt

Straight Adaptor - NPT

IN STOCK - READY TO DESPATCH

Part Number	Description
PI010822S	1/4" nPt Male x 1/4" Pushfit
PI010823S	1/4" Pushfit x 3/8" nPt Male
PI011224S	3/8" Pushfit x 1/2" nPt Male
PI011223S	3/8" Pushfit x 3/8" nPt Male



JGNC478



JGNC2511



PI011203S



PI010801S



PI010823S



PI010802S



PI061610S



PI451222S

Female Adaptor/Coupler - NPT

IN STOCK - READY TO DESPATCH

Part Number Description

PI451222S 1/4"nPt female x 3/8" Pushfit



PI4512F6S

Female Adaptor/Coupler - FFL

IN STOCK - READY TO DESPATCH

Part Number Description

PI4512F4S 1/4"ffL female x 3/8" Pushfit

PI4512F6S 3/8"ffL female x 3/8" Pushfit



PI061610S

IN STOCK - READY TO DESPATCH

Part Number Description

PI061610S 1/2 x 5/16 reducer

PM061210E 12mm x 10mm reducer

PI061208S 3/8" Stem x 1/4" Pushfit reducer

PI061612S 1/2 x 3/8 reducer

PM060806E 8mm x 6mm reducer

PI061210S 3/8 x 5/16 reducer

PM061208E 12mm x 8mm reducer

PM061006E 10mm x 6mm reducer

PM061008E 10mm x 8mm reducer

PI061008S 5/16 x 1/4 reducer

PM061512E reducer 15mm stem x 12mm tube



PI480822S



PM0806R

Rigid Elbow

IN STOCK - READY TO DESPATCH

Part Number Description

PI480822S 1/4 x 1/4 rigid elbow



PI4512F6S

Plug

IN STOCK - READY TO DESPATCH

Part Number Description

PM0806R 6mm Plug - red

PM0808S 5/16 Plug

PI0812S 3/8 Plug

PM0812R 12mm Plug - red

PM0808R 8mm Plug - red



PM061512E



PI0812S



JGCI320814S

Tap Adaptor - BSP

IN STOCK - READY TO DESPATCH

Part Number Description

JGCI320814S 1/4" Pushfit x 1/2" BSPf tap

JGCI320816S 3/4" BSPf x 1/4" Pushfit, tap

JGCI321216S 3/4" BSPf x 3/8" Push fit, tap

JGCI320816FS 3/4" BSPf x 1/4" Pushfit

JGCI321216FS 3/4" BSPf x 3/8" Pushfit

JGCI321214S 3/8" Pushfit x 1/2" BSPf tap



JGCI3208U7S

Tap Adaptor - UNS

IN STOCK - READY TO DESPATCH

Part Number Description

JGCI3208U7S 7/16" (24) UnS f x 1/4" Pushfit

JGCI3212U7S 7/16" UnS female x 3/8" Pushfit



JGICLT/2

JG Tools

IN STOCK - READY TO DESPATCH

Part Number Description

JGICLT/2 Collett Locking tool Set



PM050813E

Stem Adaptor - BSP

IN STOCK - READY TO DESPATCH

Part Number Description

PM050813E 8mm x 3/8 Stem adaptor BSP

PM051513E 15mm x 3/8 Stem adaptor Pt

PI051212S 3/8" Stem x 1/4" BSP Pt

PI051213S 3/8" Stem x 3/8" BSP Male

PM051012E 10mm Stem x 1/4" BSP Male Stem

PM050612E 6mm x 1/4 Stem adaptor Pt

PM050812E 8mm x 1/4 Stem adaptor Pt



JG15APT

Appliance Tap

IN STOCK - READY TO DESPATCH

Part Number Description

JG15APT 15mm x 3/4" BSPM appliance tap



PM2610S

Flow Bend

IN STOCK - READY TO DESPATCH

Part Number Description

PM2610S 10mm/3/8 flow Bend tube Clip



JGCI320816FS



PM050812E

John Guest Plumbing Fittings



Equal Straight Connector

Part Number	Description
JGPEM0415W	15 mm
JGPEM0422W	22 mm



Hose Connector

Part Number and Description
JGNC448 15 mm x 1/2" tube reducer
JGNC462 15 mm x 1/2" Straight Connector



Equal Tee

Part Number	Description
JGPEM0215W	15 mm
JGPEM0222W	22 mm



Conversion Connector

Part Number	Description
JGNC471	15 mm x 1/2 id
<i>Connects imperial to metric</i>	



Stop End

Part Number	Description
JGPSE4615W	15 mm
JGPSE4622W	22 mm



Reducer

Part Number	Description
JGPEM061510W	15 mm x 10 mm
JGPEM062215W	22 mm X 15 mm



Female Coupler/Tap Connector

Part Number	Description
JGPSE3201W	15 mm x 1/2" BSP
<i>Requires hand tightening only</i>	



Pipe Cutter

Part Number and Description
JGTS for up to 22 mm size pipe



Female Brass Stem Adaptor

Part Number	Description
JGMW501514N	15 mm x 1/2" BSP
<i>Converts Speedfit to female</i>	



Nail Clip

Part Number	Description
JGNPC15	15 mm



Male Couplers

Part Number	Description
JGMW011504N	Brass 15 mm x 1/2" BSPt
JG15MC	(1/2) Brass 15 mm x 1/2" BSP
JGCM011514S	acetal 15 mm x 1/2" BSP Male Brass Stem adaptor
JGMW051504N	15 mm x 1/2" BSPt
<i>Converts Speedfit to male thread</i>	



Equal Elbow

Part Number	Description
JGPEM0315W	15 mm
JGPEM0322W	22 mm Stem elbow
JGPEM222222W	22 mm
<i>Provides a swivel type connection</i>	

Pipe Cutter



IN STOCK - READY TO DESPATCH	
Part Number	Description
JGBLADE	replacement Blade for JgtSnIP
JGTSNIP	1mm - 12mm John guest tube cutters
JG-TS	22mm Pipe Cutters

for volume discounts please contact our sales office: 01367 711 900

Prices subject to change.

Stainless Steel Fittings



Swivel nuts
delrin Washers
Straight Splicers and reducers
reducing Straight Connectors
tees
"U" Bends

y Pieces
Barb Hose Stem
elbow Splicers
Swivel elbows
female to Barb
Splicer

Swivel Nuts



IN STOCK - READY TO DESPATCH

Part Number	Description
FK401	1/4 Swivel nut x 1/4" Barbed

Part Number	Size
FK101	1/4"
FK201	5/16"
FK301	3/8"

Delrin Washers

Part Number	Size
FKNY45-4	1/4" flare Washer
FKNY45-5	5/16" flare Washer
FKNY45-6	3/8" flare Washer
FKNY45-8	1/2" flare Washer

Tees



IN STOCK - READY TO DESPATCH

Part Number	Description
WGE607	3/8x3/8x1/4 tee
MCA80-1012	Barb tee 3/8
WGE601	1/4x1/4x1/4 Barbed Maletee

Part Number	Size
WGE601	1/4"x 1/4" x 1/4"
WGE607	3/8" x 3/8" x 1/4"
MCA 80-1012	3/8" x 3/8" x 3/8"

order online www.abbeychart.co.uk

Straight Splicers and Reducers



IN STOCK - READY TO DESPATCH

Part Number	Description
MCA19-0209	Barb Splicer 3/8
MCA19-0075	barb splicer 1/4"

MCA19-0209	Barb Splicer 3/8
MCA19-0075	barb splicer 1/4"

Part Number	Size
MCA19-0075	1/4" x 1/4"
MCA19-0209	3/8" x 3/8"
MCA19-0301	1/4" x 3/8"
WGE417	1/8" x 1/8"
WGE418	1/8" x 1/4"
WGE424	1/2" X 1/2"

"U" Bends



IN STOCK - READY TO DESPATCH

Part Number	Description
WGE932	1/2" Barbed U Bend
WGE931	3/8 U Bend

WGE932	1/2" Barbed U Bend
WGE931	3/8 U Bend

Part Number	Size
WGE930	1/4"
WGE931	3/8"
WGE932	1/2"

Barb Splicers

IN STOCK - READY TO DESPATCH

Part Number	Description
MCA19-0301	Barb Splicer 3/8 X 1/4

Y Pieces



IN STOCK - READY TO DESPATCH

Part Number	Description
WGE905	1/4"equal"y"Piece(UShaped)
MCA80-1077	Barb y fitting 3/8 (narrow)
WGE920	3/8" x 3/8" x 1/4" y (narrow)

Part Number	Size
WGE905	1/4"x 1/4" x 1/4"
WGE920	3/8" x 3/8" x 1/4" narrow
MCA 80-1077	3/8" x 3/8" x 3/8" narrow

Elbow Splicers



IN STOCK - READY TO DESPATCH

Part Number	Description
WGE408	3/8"S/S Barbed elbow Splicer

Part Number	Size
WGE404	1/4"x1/4"
WGE408	3/8"x3/8"

Swivel Elbows



IN STOCK - READY TO DESPATCH

Part Number	Description
FK401	1/4Swivel nut x 1/4" Barbed

Part Number	Size
FK401	1/4"
FK409	3/8"

Female to Barb Splicer



Part Number	Size
FK77080801	1/4"f. flare to 3/8" barb splicer

Barb Hose Stem



IN STOCK - READY TO DESPATCH

Part Number	Description
FK104	1/4" Barb to Hose Stem

Part Number	Size
For 1/4" nut	-
FK104	1/4"
For 5/16" nut	-
FK204	1/4"
FK207	3/16"
For 3/8" nut	-
FK304	1/4"
FK305	3/8"

Sealants

Loctite

LOCTITE

Fast curing universal anaerobic sealant for threaded metal parts up to 2". it is low strength, for use where frequent dismantling is required. it cures at low temperature and carries the german DVGW approval for gas and is also WRAS approved for potable water.



Part Number	Description
LOC496	Loctite adhesive 50 g
LOC533	Loctite Sealant 100 ml
LOC406	Loctite 20g

Pipe/Thread Sealant—Loctite 577



All other Loctite products are available.
Please contact our Sales Office for details.

Fast curing sealant which provides an instant seal on metal fittings up to 3". it is medium strength which cures at low temperatures, recommended for all coarse pipe threads. it is also WRAS approved for potable water.

Part Number	Description
LOC577	thread Sealant 250 ml

Fernox LS-X



FERNOX

MAKES WATER WORK

This Jointing Compound and Leak Sealer is ready to use and requires no mixing. it is ideal for compression joints and fittings and is WRAS approved. it adheres to most surfaces wet or dry. it is also completely safe to use with drinking water and does not shrink or crack with age.

Pipe/Thread Sealant-

IN STOCK - READY TO DESPATCH	
Part Number	Description
BRA192386	Ptfe tape. (12metres x 12mm)

IN STOCK - READY TO DESPATCH	
Part Number	Description
APR001	Leak Sealer LS-X (50ml) fernox

Part Number	Description
APR001	Leak Sealer LSX-50 ml

Prices subject to change.

for volume discounts please contact our sales office: 01367 711 900

Plumbing Fittings

Plumbing Fittings

Install Rails

IN STOCK - READY TO DESPATCH	
Part number	Description
ABB1337/D	install kit 15mm Standpipe in x 1/2"

Straight Couplers C X C	
BRA321220	15 mm
Straight Adapters C X F	
VEMCC281538	15 mm x 3/8"
BRA121613	15 mm x 3/4"
Reducing Sets	
VEMZ1021510	15 mm x 10 mm 2 part
Equal Tees C X C X C	
BRA123414	15 mm
Straight Tap Connectors	
BRA124607	15 mm x 1/2"
BRA124611	15 mm x 3/4"
Bent Tap Connectors	
VEMCC2841	15 mm x 1/2"
Straight Adapters C X M	
BRA121419	15 mm x 1/2"
BRA121424	15 mm x 3/4"
Elbows C X C	
BRA122310	10 mm
BRA122319	15 mm
Elbows C X F	
BRA122707	15 mm x 1/2"
Unequal Tees C X C X C	
BRA123612	15 mm x 15 mm x 22 mm
Hexagon Bushes	
BRA149124	1/2" x 3/8" brass
BRA149129	3/4" x 1/2"
Hexagon Nipples	
BRA149313	3/8" brass
BRA149317	1/2" brass

Copper Tubing

Part Number	Description
APR202	15 mm Copper tube (supplied in 1 metre lengths)

Brass Fittings

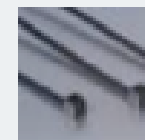
IN STOCK - READY TO DESPATCH	
Part Number	Description
WGE215	(15mm) 1/2" Brass nut
VEMWMC	3/4" BSPM x 15mm Compression
BRA122319	15mm elbows CxC / Brass olives
BRA123414	15mm tees CxCxC / Brass olives
WGE216	15mm Brass olive

Compression, Plumbing and Bespoke Fittings

Bespoke Fittings - We can supply a huge range of bespoke parts for all your compression and plumbing requirements. Stainless Steel, Brass or Plastic, ask our Sales office for more information.

C = Compression fitting, M = Male BSP thread, f = female BSP thread

Cable Tie Bases



a full range of Cable tie Bases are available to suit our range of cable ties in different colours.

Part Number	Description
RIC 100	100 mm x 2.5 mm—white
RIC 101	100 mm x 2.5 mm—black
RIC 140	146 mm x 3.6 mm—white
RIC 141	146 mm x 3.6 mm—black
RIC 200	200 mm x 4.8 mm—white
RIC 201	200 mm x 4.8 mm—black
RIC 202	200 mm x 2.5 mm—white
RIC 300	300 mm x 4.8 mm—blue
RIC 301	300 mm x 4.8 mm—black
RIC 372	370 mm x 7.8 mm—white
RIC 373	370 mm x 7.8 mm—black

Consumable parts are available at attractive prices. We merely list a selection below.

IN STOCK - READY TO DESPATCH	
Part Number	Description
RIC100	100mm x 2.5 Cable Ties White

Part Number	Description
RICTCBS401	Swivel Mount Circuit Board Support
RICTCBS1001	Screw Mount Circuit Board Support
RICSFF018	Soft fast foot
RICCBS061	Circuit Board Support

Order online www.abbeychart.co.uk



Supporting or supplying the worlds top brands in filters, Abbeychart maintains one of the industries broadest selections of filter products. From POU water to commercial catering we have a solution to meet your requirements.

Filters

- | | |
|------------|--------------|
| GAC | Water |
| Everpure | In-Line |
| Cartridges | Carbon Block |
| Omnipure | Own Label |
| Brita | 3M |

Vending Products



BRITA

In the last 40 years the name Brita has become synonymous with water quality.

all of our water filter systems meet the most stringent safety standards. the food quality of Brita water filter products has been inspected and confirmed by an independent institute. the aquaQuell Purity systems carry the TÜV test logo (Production monitored), TÜV/gS, SVgW, WraS, Va, Ce.

Brita Vending Products

IN STOCK - READY TO DESPATCH

Part Number	Description
FLT273000	Purity 450 exc. System
FLTPC50	Purity C50 Cart.
FLT273400	Purity 1200 exc. Sys.
FLT274300	Brita Hose Set
FLTPCHEAD	Purity C Head 3/8 BSP Male
FLT273200	Purity 600 exc. Sys.
FLT293600	aquaquell 1.5 Cart.
FLTP1200DISP	Purity 1200 gap Sys. with display
FLTPC150	Purity C150 Cart.
FLT291300	Brita aquaquell 06B
FLTPC500	Purity C500 Cart.
FLT295300	aquaquell 06BC
FLTP600DISP	Purity 600 Sys. with display
FLTP600	Purity 600 Sys. without display
FLTP1200	Purity 1200 System without display

Advantages:

- no down-time caused by limescale
- Significant reduced servicing costs
- Less maintenance
- optimized use of ground coffee
- improved energy efficiency

3M

3M Water Filtration

3M Water filtration is a world leader in the design, manufacture, and marketing of a comprehensive line of filtration products for the separation, clarification, and purification of fluids and gasses. its proprietary products include uses in the healthcare, industrial, and drinking water markets.

We stock and distribute a wide range of 3M Water filtration filters for a variety of different machines.



3m Water Filtration

IN STOCK - READY TO DESPATCH

Part Number	Description
FLT70020020619	Hf25 1 Micron Carbon Block
FLT70020002518	3M Cuno oCS retrofit CS52
FLT70020019835	aP3-C765S Cartridge
FLT70020019876	SgPro P124Bn-e
FLT70020252170	aP2-C405g Cartridge
FLT70020252162	aP2-C405Sg Cartridge
FLT70020211499	Scalegard filter Head 3/8" Jg
FLT70020252188	aP2-C401Sg Cartridge
FLT70020020544	SgPro P195Bn
FLT70020114164	VH3 Scalegard Valved Head - 3/8BSPt
FLT70020136837	P165-Bn filter Cartridge
FLT70020252196	aP2-C401g Cartridge
FLT1157802	aP2 Head only, 1/4" Pushfit
FLTXX004814362	SgP145Bne
FLT70020044312	Hf05-MS
FLT70020019827	aP3-C765e
FLT70020020627	Hf25S
FLT70020002336	CUnoCS51 replacement cartridge
FLT70020017391	CS-24 cartridge everpure retrofit
FLT70020121839	3MVH3HeadC/Wgauge



For Water Coolers

Features:

- Sanitary quick change cartridge
- Compact space saving design
- Proprietary graded carbon block
- a choice of different media
- fda compliant materials
- integral mounting bracket on head
- empty cartridge available

for volume discounts please contact our sales office: : 01367 711 900

Prices subject to change.

order online www.abbeychart.co.uk

Water Filters

GAC In-line Cartridge - Chlorine, taste and odour removal



IN STOCK - READY TO DESPATCH	
Part Number	Description
FLTABC1	10" in-Line gAC Cartridge
FLTABC4	10" Carbon Block 1 Micon

other specifications available.

NEED YOUR OWN LABEL?

We can print and fix your own brand label to any of these filters. Minimum order quantity of 50.

Please ask our sales team for a quote!

Features and Benefits

- economy inline
- add any fittings required
- oUM branding available // customize branding

Omnipure Filters

The Q Series



A two-piece design makes replacement fast, easy and cost efficient.

the Q-Series utilises a 'valve-in-head' cartridge system. replacement of the spent media bed is completed in a matter of seconds by detaching the filter body from a permanent head

with a twist of the wrist. the new filter body is just as easily threaded into the head and the replacement is then complete. the Q-Series is also available with the optional twist tap® inhead valve system, which automatically turns the supply water off when the body is disconnected from the head.

Part Number	Description
FLTQ5420	omnipure Q 8" Carbon block 1m
FLTQ5486	omnipure Q 8" taste odour/Scale
FLTQ5586	omnipure Q 10" taste odour & Scale inhibitor
FLTQHEADNVCC	omnipure Q Head no Valve 3/8" nPft

The K Series



The K-Series in-line filters utilise Quick-Connect® fittings, which are unique in two ways.

first, they allow for the installation of the in-line filter in a matter of seconds. inlet and outlet tubes are simply snapped into place and secured using a patented collet system. Second, the fittings are moulded directly into the filter body and cap as a single unit. this reduces the chance for weeping or seepage. Cap and body are spin-welded together producing a smooth, consistent seal without the use of glues or binders that can cause contamination. the result of these design and production techniques is a reliable filter that is fast and easy to install. the k-Series filter is available in 6", 8", 10", 12" or 14" lengths manufactured in 2" or 2.5" diameters. the true benefit is that systems can be designed to incorporate the various lengths and diameters - either all the same size or intermixed - to meet specific filtration needs.

IN STOCK - READY TO DESPATCH	
Part Number	Description
FLTK2586CC	omnipure k 10" Cl* taste odour* with 3/8" nPt female parts
FLTK2586CC+SFIT	omnipure k 10" chl, taste, odour c/w 3/4" BSPF Ports
FLTK2533JJ	omnipure k 10" taste odour c/w 1/4" straight pushfits
FLTK2386CC+SFIT	6" chl, taste, odour B/4 BSP

Many more filters available, please contact our Sales Office for more details.

Part Number	Description
FLTK2320JJ	omnipure k 6" taste odour 1/4" Push-fit
FLTK2386CCSFIT	omnipure k 6" Chlorine/ taste odour Scale inhibitor + 3/4" BSP Male fitting
FLTK2533JJ	omnipure k 10" taste odour 1/4" Straight Push-fit
FLTK2586CC	omnipure k 10" taste odour Scale inhibitor 3/8" nPt f
FLTK2586JJ	omnipure k 10" taste odour Scale inhibitor 1/4" Straight Push-fit

Please ask our sales staff for high quantity discounts, or for a full range of available Omnipure products and specifications.

Typical E Series filters supplied



Part Number	Description
FLTE5428	omnipure e 8" taste odour Lock-in Style
FLTE5486	omnipure e 8" taste odour & Scale inhibitor Lock-in Style
FLTE5586	omnipure e 10" taste odour & Scale inhibitor Lock-in Style

Many more filters available, please contact our Sales office for more details.

Everpure Filters

**Everpure Certified to the Highest Standards:**

Everpure filters are tested and certified to the highest standards by nSf international.

Everpure has more than 200 models and model variations listed.

Everpure was the first to pass nSf's Life Cyst test - a widely-accepted and recognized global third-party certification provider. nSf provides assurance that **Everpure** products perform up to their contaminant reduction claims for aesthetic and health effects and that they meet or exceed integrity standards.

Everpure water treatment systems (excluding replaceable elements) are covered by a limited warranty against defects in material and workmanship for 5 years after purchase.

Everpure Retro Fit Filters

**Filter Size**

replacement filter cartridges are manufactured in 5 different sizes:

2-Size = 26.04cm high (aC Cartridge)
4-Size = 36.83cm high (4C, 4H Cartridge)
6-Size = 43.18cm high (oW200L Cartridge)
7-Size = 52.71cm high (MC, MH Cartridge)
X-Size = 63.50cm high (XC Cartridge)

Abbeychart Part Number Description

FLT9617-22	everpure 2 CB5-S Cartridge
FLT9601-00	everpure 4C filter
FLT9601-12	everpure aC filter (Chlorine)
FLT9611-00	everpure 4H filter (Chlorine)

everpure cartridges are an economical way to provide the benefits of 3M Water filtration in competitive systems without incurring additional capital expense. a choice of medias such as graded density carbon with micron ratings from 0.5 to 5, as well as optional integrated scale inhibition provide solutions for varying water conditions.

IN STOCK - READY TO DESPATCH

Part Number	Description
FLT9259-14	everpure filter Head - QL3
FLT9601-00	everpure 4C filter(11,350 ltr)
FLT4312-13	everpure filter Head - QL3-B
FLT9612-55	everpure MC2 Cartridge

CTU's

Calcium Treatment Unit Water Filters

**IN STOCK - READY TO DESPATCH**

Part Number	Description
CTU5R1.5	5 Litre regen 1.5mm Bypass
CTU10R1.5	regeneration of CtU 1.5mm
CTU18R1.5	regeneration - eWCtU18.1.5
CTU51.5MM	new 5ltr CtU 1.5mm
CTU101.5MM	new 10ltr CtU 1.5mm
CTU181.5	new 18ltr CtU 1.5mm



Product Handling

A complete range of products and solutions to support machine and beverage ingredient mix and measured dispense. NSF, FDA approved to ensure the highest reliability and standards.

Whipper Systems

Canisters

Hot Plates, Jugs, Baskets

Bar Guns

Product Tank and Kegs

CO₂ Regulators

Bag in Box
Accessories

BIB Connections

Full Bargun
Refurbishment
and Rebuild Facilities

Post Mix Accessories

Whipper Systems

IN STOCK - READY TO DESPATCH	
Part Number	Description
HEP4013-GY	Steam Hood
HEP4008-GY	Mixing Bowl
HEP4011-GY	Whipper Body (Vertical)
HEP4012-GY	Whipper Body (Horizontal)
HEP4007-GY	impellor
HEP4019-WC	WhipperBase (c/w red shaft seal and oring)
HEP4015-R	rubber Shaft Washer-red
HEP4001	Slinger disk
HEP4009-GY-R	Bulkhead adaptor
PACHC5430-31-230	aC Whipper Motor, 230V, 31mm Shaft



Item Number	Part Number	Description
1	HEP4013-GY	Steam Hood
2	HEP4008-GY	Mixing Bowl
3	HEP4011-GY	Whipper Body (vertical)
alternate	HEP4012-GY	Whipper Body (horizontal)
4	HEP4007-GY	impellor
5	HEP4019-WC	Whipper Base (red seal)
(with 5)	HEP4118	Whipper Base o ring
6	SJW106	Pillar Screw
7	HEP4003GY	Location Pillar
9	HEP4014	Steam trap Seal, Silicone
10	HEP4009-GY-R	Bulkhead adaptor
(with 10)	SUPS110R70	2.60mm W red o ring
(with 10)	HEPC199	Bulkhead Cap (grey)
alternate	HEP4020GY	Blind version of item 5(Whipper base)
alternate	HEP4006GY	Blind fixing strap (in place of motor)
Motors to suit	PACHC543031110, ABB1414RO2489B	aC Whipper Motor, 110V, 31mm Shaft. dC Whipper Motor, 24V 14,000 rpm, 31mm Shaft. (also available in 10,000 rpm & 17,000 rpm. all at either 12V or 24V)
full assemblies	Whipper system kits available to customer specifications	

Standard Whipper System

- NSF Approved
- FDA approved polypropylene
- Industry standard mounting
- Long life, high temperature, self lubricating silicone base seal

Mini Whipper System

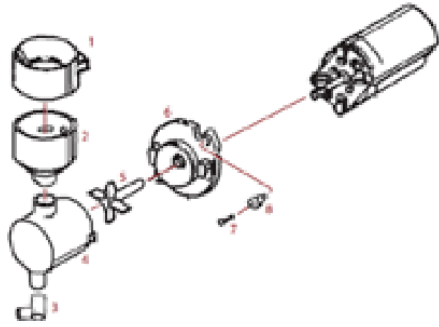
- FDA approved polypropylene
- Extra low line
- Compact, smallest on the market
- Long life, high temperature, self lubricating silicone base seal



IN STOCK - READY TO DESPATCH	
Part Number	Description
HEP4015-R	rubber Shaft Seal
HEP4007-GY	impellor
HEP4009-GY-R	Bulkhead adaptor
PACHC5430-31-230	aC Whipper Motor 230V 31mm shaft.

Item Number	Part Number	Description	Qty
1	HEP4119GY	Whipper Base	1
2 (with 1)	HEP4118	Whipper Base o ring	1
4	HEP4003GY/L	Location Pillar	2
5	SJW106	Pillar Screw	2
6	HEP4007-GY	impellor	1
7	HEP4108GY	Whipper Body Combined	1
8	HEP4113GY	Whipper Cap	1
9	HEP4009-GY	Bulkhead adaptor	1
alternate	HEP4120GY	Blind version of item 1 (whipper base)	1
Motors to Suit:	PACHC543031110, ABB1414RO2489B, PACHC5430-31-230	aC Whipper Motor 110V 31mm shaft. 24V dC 14,000 rpm Whipper Motor, 31mm Shaft. (also available in 10,000 rpm & 17,000 rpm. all at either 12V or 24V)	

High Flow Whipper System



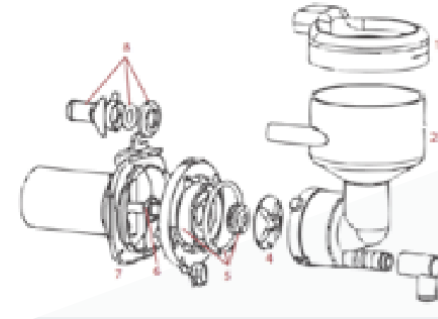
- NSF Approved
- FDA approved polypropylene
- Industry standard mounting
- Long life, high temperature, self lubricating silicone base seal
- Fast flow whipper chamber

IN STOCK - READY TO DESPATCH

Part Number	Description
HEP4013-GY	Steam Hood
HEP4008-GY	Mixing Bowl
PAC9039152A	Whipper Chamber
PAC9040252A	Whipper Blade

Item Number	Part Number	Description	Qty
1	HEP4013-GY	Steam Hood	1
2	HEP4008-GY	Mixing Bowl	1
3	PAC9239331A	elbow adaptor	1
4	PAC9039152A	Whipper Chamber	1
5	PAC9040252A	Whipper Blade	1
6	HEP4019WC	Whipper Base assembly	1
7	SJW106	Pillar Screw	1
8	HEP4003GY/L	Location Pillar	2
alternate	HEP4020GY	Blind version of item 6 (whipper base)	1
		n.B. if translucent is required, replace '-gy' with '-tr'.	
Motors to Suit:	PACHC5430-38-110	aC Whipper Motor 110V 38mm shaft.	
	PACHC5430-38-230	aC Whipper Motor 230V 38mm shaft.	

Quick Lock Whipper System



IN STOCK - READY TO DESPATCH

Part Number	Description
BECC101.1203E	Mixing Blade/impella
HEP4001	Slinger disc
HEP4009-GY Glued	Bulkhead adaptor

- FDA approved polypropylene
- Long life, high temperature, self lubricating silicone base seal
- Able to be assembled and changed from the front
- Fits industry standard cut-out (Individual parts are not interchangeable)

Item Number	Part Number	Description	Qty
1	BECC101.0295B	Mixing Bowl Cover	1
2	BECC101.1204E	Mixing Bowl	1
3	BECC101.0335A	elbow adaptor	1
4	BECC101.1203E	Mixing Blade - impellor	1
5	BECC240.0110M	Whipper Base c/w seal and o ring	1
6	HEP4001	Slinger disc	1
7	BECC101.1234E	Whipper Motor Base	1
8	HEP4009-GY-GLUED	Bulkhead adaptor	1

Standard Whipper System Spares

IN STOCK - READY TO DESPATCH

Part Number	Description
HEP4012-GY	Whipper Body Horiz. grey
HEP4008-GY	Mixing Bowl grey
HEP4013-GY	Steam Hood - grey
HEP4019-WC	Whipper Base c/w red Shaft
HEP4007-GY	impellor new - grey
HEP4015-R	rubber Shaft Washer red
HEP4011-GY	Whipper Body Vert - grey
HEP4009-GY-R	Bulkhead adaptor cw red o ring
HEP4001	Slinger disc
HEP4009-C	Bulkhead fit Comp. round.glued
BECC101.1203E	Mixing Blade - impellor
BECC107.0025A	Seal for Whipperbase / red

Canisters

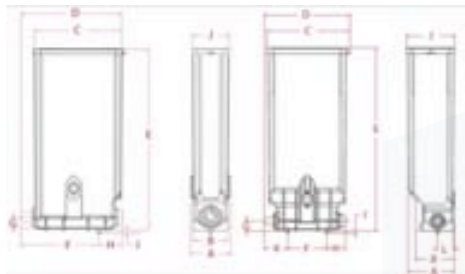
abbeychart's aVC canister range is injection moulded to create a precise, thin section component, which is both strong and accurate in its performance. the canister includes 4 strong support ridges and a finger grip for easy installation or removal during servicing. the canisters can be supplied in various sizes to meet the customer requirements.

Specification

- Material: Injection Moulded Plastic
- Polypropylene and Acetyl
- Colour: Natural
- Finish: exterior surface smooth
- Moulded plastic or wire auger
- Cut to height to fit customers requirements

Part Number	Canister	A	B	C	D	E	F	G	H	I	J	K	L
WWA310***000	Ultra Slim	46 mm	42 mm	190 mm	208 mm	e2	151 mm	25 mm	49 mm	5 mm	45 mm	-	-
WWA210***000	Slim	66 mm	58 mm	177 mm	204 mm	e1	151 mm	25 mm	49 mm	5 mm	66 mm	-	-
WWA010***000	Std	78 mm	77 mm	177 mm	204 mm	e2	151 mm	25 mm	49 mm	5 mm	80 mm	-	-
WWA110***000	Pregnant	96 mm	39 mm	205 mm	212 mm	e3	96 mm	25 mm	46 mm	5 mm	119 mm	58 mm	39 mm

***= Height (e) required in mm (over lid), e1=Up to the maximum of 348mm, e2=Up to maximum of 460mm, e3= Up to maximum of 348



Canisters

IN STOCK - READY TO DESPATCH

Part Number Description

WWA010-460-000 StdCanH460WaPL aUg

Canister Spares

IN STOCK - READY TO DESPATCH

Part Number Description

HEP-030 outlet Spout Straight

HEP-015 Canister drive Sprocket

Pour Over Filtered Coffee Components

Temperature Sensitive Self-Adhesive Stickers

attach to coffee brewer baskets, kettles and other surfaces prone to heating to prevent accidental burns.

Warning appears in red text when surface is heated. Standard temperature threshold is 40°C/104°F. a custom temperature threshold can be made for bulk orders of 10,000+.

Part Number	Description
SPS039	1 sheet of temperature sensitive stickers. (each sheet has 9 stickers.)

Warmer Plate



for use with self-regulating hot plates, to allow consistent temperature and quality of coffee at any time.

Part Number	Description
SPX213BR	15cm Warmer Plate

Brew Basket



Part Number	Description
SPX130BR	Brew Basket

Measuring Jug

IN STOCK - READY TO DESPATCH

Part Number Description

AS101 1 Litre plastic jug graduated in 100 ml fl.oz

Glass Decanters



decanter for use with pour over coffee machines and other hot liquids. glass jug with durable handle.

IN STOCK - READY TO DESPATCH	
Part Number	Description
HHGDBK	64oz glass decanter

Vacuum Jugs



Stainless steel vacuum-sealed jug with durable handle. for hot or cold liquids.

Part Number	Description
LIB105-E	Black vacuum, 1 litre

Cleaning Brush

Large brush for cleaning decanters, vacuum jugs, and other vending equipment.

Part Number	Description
URNUB700	15" air Pot Brush

Cup Dispenser

IN STOCK - READY TO DESPATCH

Part Number	Description
ACSCDM/W	White Cup dispenser Magnetic Mount
ACSCDS/S	Silver Cup dispenser Screw Mount 17"
ACSCDS/W	White Cup dispenser Screw Mount 17"
ACSCDS/B	Black Cup dispenser Screw Mount 17"

Wunderbar Bar Guns and Parts



this versatile bar gun can be configured for most combinations of carbonated, noncarbonated or premixed products. Choose from a variety of post mix type dispensers from 5 to 14 different products. dispensers are available with permanent, quick disconnect or flow-regulated type manifolds and in many different corporate franchise colours.

Precision machined diffusers provide better carbonation and minimal brix stratification. they also provide for softer, faster flow rate with minimal foaming. Separate valves for soda and flavours provide easy service.

Part Number	Description
WBM851-MARK4	Standard 8 Btn mark 4 W/Bar Hose
STPBGH01	Bar gun holder c/wgomet and drip tray

these part numbers are just a small selection of models. We can configure button layouts according to customer requirements.

Wunderbar Spare Parts

The following are available for Wunderbar Post Mix Hand dispensers. Please contact our Sales office for additional information.



IN STOCK - READY TO DESPATCH

Part Number	Description
FKPH10-87B	Mk2.5/Mk3 twist nozzle (black)
FKPH10-79B	Split handle heel Mk2.5/Mk3 Black
FKPH10-18	tube ferrule cap
FKPH10-19	tube seal o ring
FKPH10-28	Bottom Plate Screw
FKPH10-2-10B	10 hole button plate
FKPH10-20	Stem o ring red silicone
FKPH10-21	Stem Spring
FKPH10-25	Spring hat
FKPH10-27B	Bottom plate
FKPH10-29B	nozzle Mk1/Mk2
FKPH10-30	nozzle diffuser o ring Mk2
FKPH10-65	Universal syrup separator
FKPH10-74L	Snap on button cap 'L'
FKPH10-74C	Snap on button cap 'C'
FKPH10-74T	Snap on button cap 't'
FKPH10-74B	Snap on button cap 'B'
FKPH10-74D	Snap on button cap 'd'
FKPH10-74O	Snap on button cap 'o'
FKPH10-74PEPSI	Snap on button cap 'Pepsi'
FKPH10-74DIET	red on white 'diet'
FKPH10-75	Button Long premix
FKPH10-76	Snap on button oval
FKPH10-77SODA	Snap on button cap 'Soda
FKPH10-77WATER	Snap on button cap 'Water'
FKPH10-91RH	Butterfly plate 1 Hole L&t Hand

Part Number	Description
FKPH10-91LH	Butterfly plate 1 hole left hand
FKPH10-92H	Butterfly plate 2 hole
FKPH10-93LH	Butterfly plate 3 hole left hand
FKPH10-93RH	Butterfly plate 3 hole right hand
FKPH10-94LH	Butterfly plate 4 hole left hand
FKPH10-94RH	Butterfly plate 4 hole right hand
FKPM10-5	input module
FKPM10-6	Screw o ring
FKPM10-7	Brix screw
FKPM10-8	Shut-off screw
FKPM10-14	inlet fitting o ring
FKPM10-16	kwik klip-narrow
FKPM10-22	interconnect fitting-white
FKPM10-23	tube lock ring-small
FKPM10-24	interconnect o ring- red
FKPM10-43	Hose hanger kit
FKPM10-55	Manifold label
FKPM10-56	Shut-off screw label
FKPM10-64	Sanitary cap
FKPH3-30	Mk2.5/Mk3 o ring diffuser
FKPH10-12B	Handle heel Mk2 Black
FKPH10-16	Sheath bushing Mk 2
FKPH12-16	Sheath bushing MPart nok 2.5/Mk3
FKPH10-3	Button plate screw
FKPH10-47	Cork o ring
FKPH10-28	Valve plunger stem
FKPH10-54	Valve spring
FKPH10-73	Button Stem (snap on)
FKPH10-74G	Snap on button cap 'g'
FKPH1074-DIET (B/W)	Black on white 'diet'
FKPH10-7400	Snap on button cap 'o' black on orange
FKPH10-74C	Snap on button cap 'Coke'

Bespoke printed caps available on request, subject to MoQ.

for volume discounts please contact our sales office: 01367 711 900

Prices subject to change.

order online www.abbeychart.co.uk

Product Tanks And Kegs

SoftDrinksProductTanks



all tanks can be supplied with Coca-Cola, Hansen or other valve types. all tanks have a rubber base.

Product Tank

IN STOCK - READY TO DESPATCH

Part Number	Description
AEB1025VS	18.9 Lit (5 gallon) c/w relief
AEB1011-VS	9Litre S/S Jolly Product tank

S/Steel Handle Part Number		Capacity	Length	Dia. mm
AEB1005-VS	Mini Jolly	5 Litre		
AEB1010-VS	Jolly	18 Litre	555	232
AEB1011-VS	Jolly	9 Litre	334	232

Product Tank Valves

Valve	Part No. Co ₂	PartNo.Product
Coca Cola	1 aeB 3261	2 aeB 3262
NC	3 aeB3263	4 aeB3264
Jolly	5 aeB3063	6 aeB3064



Quick Disconnects

IN STOCK - READY TO DESPATCH

Part Number	Description
FK27-1102-77	1/4" gas Barb Stem (grey)
FK27-1100-99	1/4" Liquid Mf Quick disconnect
FK27-1100-77	1/4" gas Mf Quick disconnect
FK27-1102-99	1/4" Liquid Barb Stem (Black)
DSS-QCD	Liquibox Quick disconnect



for volume discounts please contact our sales office: 01367 711 900

Prices subject to change.

Lids c/w 'O' Rings



Part Number	Description
AEB 3329	tank Lid c/w ring Pull relief Valve

Spare Parts

internal relief Valve - aeB3350



Part Number	Description
AEB3351	Valve insert body only
AEB3002	'o' ring valve insert
AEB3352	relief viv rod
AEB3353	Spring
AEB3339	red plastic tank feet
AEB3356	relief valve ring pull
AEB3350	Lid relief valve assy complete

CO₂ Regulators



IN STOCK - READY TO DESPATCH

Part Number	Description
TAP20000	Co2 regulator-taprite 1/4" flare
TAP20009	Co2 regulator c/w 3/8" Jg

Part Number	Capacity
TAP 10000	Single outlet Bottle Mounted Single gauge. 7/16" flare outlet
TAP 10001	as above, but with 1/4" barb outlet
TAP 20000	Single outlet Bottle Mounted twin gauge. 7/16" flare outlet
TAP 20001	as above, but with 1/4" barb outlet
TAP 30000	double outlet Bottle Mounted triple gauge. 7/16" flare outlet
TAP 30001	as above, but with 1/4" barb outlet
TAP 40000	triple outlet Bottle Mounted four gauges. 7/16" flare outlet
TAP 40001	as above, but with 1/4" barb outlet

The products below are as above fitted with wall bracket and 1 metre of high pressure hose.

JIPH010401041
JIREG19060313

order online www.abbeychart.co.uk

CO₂ AccessoriesCO₂ Washers

IN STOCK - READY TO DESPATCH

Part Number	Description
FAR 003	Co ₂ Bottle Washer 12mm

CO₂ Straps

IN STOCK - READY TO DESPATCH

Part Number	Description
PWS-2	28' grey Strap

Part Number	Description
CAPX27212G	green Lanyard to secure / spanner to regulator

Custom printed straps available on bulk orders.

CO₂ Spanners

IN STOCK - READY TO DESPATCH

Part Number	Description
SJW139	d.f. Combination Spanner

Part Number	Description
DPFL0518	Co ₂ ring Spanner

for volume discounts please contact our sales office: 01367 711 900

Prices subject to change.

Water Meters and strainers



the Super dry is a single-jet meter suitable for cold, hard and scaling waters, as well as water with sand in suspension.

Main Features

- the clockwork mechanism is in a vacuum
- Protective cover cannot be obscured by fogging.
- Hydraulic protection against frost and water hammer.
- it has special flag-type pointers - therefore no parallax errors.

Super Dry Water Meter

IN STOCK - READY TO DESPATCH

Part Number	Description
SKU:ALFA-SJ-SDC15	3/4 BSPM Water Meter-Single

Part Number	Description
SKUALFASJSDC15	3/4" BSPM Water Meter c/w 1/2" BSPM fitting kit

Screen Filter & Pressure Gauges

Pressure Gauges



Black polyester housing, Plexiglass Window, brass 1/4" or 1/8" connections. range 0-4, 0-6, 0-10 Bar.

Screen Filter and Pressure Gauges

IN STOCK - READY TO DESPATCH

Part Number	Description
JOU991L23D	50mm gauge 0-160PSi dual Scale

Part Number	Range and Size	Connection
JOU991K22D	0-6 Bar 50 mm	Bottom 1/8"
JOU996K23	0-10 Bar 50 mm	Back 1/8"
JOU996L23D	0-10 Bar 50 mm	Back 1/4"

order online www.abbeychart.co.uk

Post Mix Accessories

Refractometer



this industrial fluid tester provides an efficient, simple method of checking product to water ratio in soft drinks. it is portable, has automatic temperature compensation and an impact resistant body and sample cover.

IN STOCK - READY TO DESPATCH

Part Number	Description
CSPCP-1120	Hand Held refractometer 0-32%

Insulation Tape

IN STOCK - READY TO DESPATCH

Part Number	Description
DIR001	19mm x 20mm Black insulation
DIR100	50mm x 33m Black ins. tape



Quick Disconnects



Part Number	Description
FK27-1103-77	gas 3/8" Barbed Stem (grey)
FK27-3010-00	non return Valve disconnect

Tapered Nylon Flare Washer



IN STOCK - READY TO DESPATCH

Part Number	Description
FKNY45-4	1/4" flare Washer
FKNY45-5	5/16" flare Washer
FKNY45-6	3/8" flare Washer

Part Number	Description
FKNY45-8	1/2" flare Washer

Brix Cups



IN STOCK - READY TO DESPATCH

Part Number	Description
FK1092	fromatic Brix Cup 5:1
FK 99-9012	5:1 and 5.5:1

Part Number	Description
FK99-9418	Pepsi Brix Cup

Syrup Separators



IN STOCK - READY TO DESPATCH

Part Number	Description
FKPH10-65	Universal Syrup Separator

Part Number	Description
FK1090	fromatic Syrup Separator

Thermometer



Part Number	Description
RPW315	electronic thermometer -40 - +240°C waterproof

Bag In Box Components

Folding Bag In Box Racks



Part Number	Description
STP102	1 Box x 2 Shelves (10 Ltr or 20 Ltr)
STP202	2 Box x 2 Shelves (10 Ltr or 20 Ltr)
STP302	3 Box x 2 Shelves (10 Ltr or 20 Ltr)
STP 203	2 box x 3 Shelves (10 Ltr or 20 Ltr)
STP402	4 Box x 2 Shelves (10 Ltr or 20 Ltr)
STP403	4 Box x 3 Shelves (10 Ltr or 20 Ltr)
STP212	2 Box Lid
STP213	3 Box Lid
STP214	4 Box Lid

other sizes, Colours & finishes are available on request.

racks are manufactured from heavy gauge boxsection uprights tied with mild steel shelf support bars, pump bars and side locking assembly. they unfold from flat and need no tools for assembly. optional Lid/top tray. 10 and 20 litre box shelf options.

for volume discounts please contact our sales office: **01367 711 900**

Prices subject to change.

Bag In Box Connectors

IN STOCK - READY TO DESPATCH

Part Number	Description
DSS-QCD	Liquibox (old Style)



Part Number	Description
STDSSQCD	Liquibox (new Style)
TOM101	CPC Bib Connector
ELL114215	Coca-Cola Bag in the Box Connector
ELL495500	dr Pepper Bag in the Box Connector
ELL495505	Pepsi Bag in the Box Connector

Pump Fittings



Part Number	Description
ABB1398	3/8" Stem flojet gas
ABB179	3/8" Stem flojet Product

Change Over Valves



IN STOCK - READY TO DESPATCH

Part Number	Description
FK1500-030	flojet Change over Valve

CO₂ Pumps

IN STOCK - READY TO DESPATCH

Part Number	Description
FK5000-130	flojet
SUF002	Syrup - SHUrflo

Part Number	Description
SUF003	SHUrflo Brix Pump 5:1
SUF94-260-03	SHUrflo Brix Pump 4:1

order online www.abbeychart.co.uk

Filter Papers



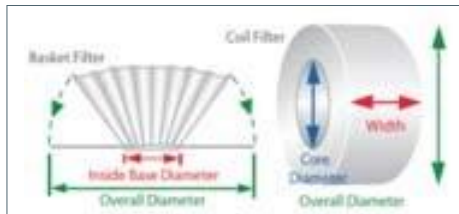
Urn Filter Papers

IN STOCK - READY TO DESPATCH

Part Number Description

THGU39U437152 Size - U39U437X152

How to measure filter papers:



Typical Urn filters

Product Group	Stock Flag	Abbeychart Part #	Size	Filters per Nest	Filters per Pack/Bag	Filters per Case	Cases per Pallet
Urn	Standard	THGU39B320110	U39B320X110	25	100	500	60
Urn	Standard	THGU39B360110	U39B360X110	25	100	500	60
Urn	Standard	THGU39B380152	U39B380X152	25	100	500	60
Urn	Standard	THGU39B400152	U39B400X152	50	100	500	45
Urn	Standard	THGU39B437152	U39B437X152	50	100	500	45
Urn	Standard	THGU39B535203	U39B535X203	25	100	500	30
Urn	Standard	THGU52B635280	U52B635X280	50	100	200	24

Our range of filters includes Urn coffee filters and 3 pint filters

Urn Coffee Filters - for large coffee brewers

- 5 litres - 50 litres
- Choice of paper weight
- Bleached or unbleached paper
- available in diameters 320mm - 635mm

Size is important to ensure the filter functions correctly - the perfect size will prevent coffee grains blocking the machine. to measure basket filters, flatten filter and measure overall diameter of the circle (say 250mm) and the diameter of the inner base circle (say 84mm). therefore the filter size is 250-84. to measure a coil filter roll measure the width of an unused roll in millimetres. Popular sizes are stocked by abbeychart including 89mm, 100mm and 110mm wide rolls. for household cone filters, flatten the filter and measure the narrow base of the filter (say 50mm) and the length of the side of the filter (say 148mm).

once you have the dimensions, please call our sales team who will advise on stock items to suit your needs.

full guide on how to measure and why to use coffee filter papers available on our website, or from our Sales office.

AutoCup Filter Papers

IN STOCK - READY TO DESPATCH

Part Number Description

THGA39B250084 Size - a39B250X84

THGA39U250110 Size - a39U250X110

Typical AutoCup filters

Product Group	Stock Flag	Abbeychart Part Number	Size	Filters per Nest	Filters per Pack/Bag	Filters per Case
autoCup	Standard	THGA39B200084	a39B200X84	25	250	126
autoCup	Standard	THGA39B250110	a39B250X110	50	250	108
autoCup	Standard	THGA39U250084	a39U250X84	50	250	126

Filter Rolls



abbeychart filter rolls are manufactured from the highest quality Swiss paper using the correct weight of between 50 & 70 grams, thus ensuring a quality drink to the customer. the weight of the paper being absolutely critical to the beverage industry to avoid under and over extraction on the brewing process as well as brewer problems.

a large selection of coil filter rolls in various diameters between 50mm and 915mm, the most popular coil widths are 89mm, 100mm, 110mm.

Can be supplied wrapped or unwrapped, woven or unwoven.

a size for every machine:

Westomatic / Crane / Zanussi / Sankey / Café Bar / Stentorfield / Quantum / Wittenborg

the coil filter paper comes in various weights and paper qualities. Can be packed to best suit your needs.

Filter Rolls

IN STOCK - READY TO DESPATCH

Part Number Description

THGCOIL89 C89X200m C144P roll Standard

THGCOIL100 C100X200m6C144P roll Standard

Typical AutoCup filters

Part Number	Size	Pack Size	Colour	Machine Suitability
THGCOIL8901	89mm x 200 mtrs	Shrink wrapped	White	Stentorfield Crane
THGCOIL10001	100mm x 200 mtrs	Shrink wrapped	White	Westomatic
THGCOIL110	110mm x 200 mtrs	10 per box loose	White	Wittenborg

Flowmeters

Flowmeters



Precision instruments developed for liquid doses control, particularly suitable for coffee machines and automatic beverage dispensers.

Metallic flowmeters are available in four versions:

- 1 nickel plated brass
- 2 nickel plated brass / vertron
- 3 teflon coated brass
- 4 teflon coated brass / vertron

Flowmeters

IN STOCK - READY TO DESPATCH

Part Number	Description
-------------	-------------

ASCV4045	flow Meter - 1.8mm 3 Connections
----------	----------------------------------

GIC9.0.99.19G	flowmeter Black 1.8mm orifice
---------------	-------------------------------

Rated voltage:	4.5-24VdC
Material:	Brass
Output:	Polarized 2,2kw or open Collector
Operating temperature	up to 70°C (model with Led), 120°C (without Led)
Connection type:	faston or MPM, Molex, Stocko etc. connectors
Threads:	g 1/8, g 1/4, 1/8 nPt, 1/4 nPt
Nozzle:	Ø 1 - 1,15 - 1,3 - 1,5 - 1,8 - 2 - 2,5 - 3,7 mm
Max pressure	20 bar
Dimensions (mm):	L40 / H55 / d40
Accuracy:	+/- 2%
Minimum flow rate:	35cc/min
Maximum flow rate	up to 5000 cc/min

Digital Pocket Scales

IN STOCK - READY TO DESPATCH

Part Number	Description
-------------	-------------

TRUTW600	digital Pocket Scale 600g
----------	---------------------------

for volume discounts please contact our sales office: **01367 711 900**

Prices subject to change.



electrical and Lighting

*A range of temperature control items.
Various cables/cordsets, plugs and LED
lighting for assorted applications.*

Cartridge Heaters

Thermostats

Switches

Pressure Gauges

Timers

Cordsets

Relays

LED Lighting

Thermocouples

Lamps

Transformers

Heater Elements

Thermostats

Pressure Switches



the a2 series of air operated pressure switches have been developed for precise water level control of three independent switch levels. applications include glass washers, steamers and clothes washers. operation is via trapped air pressure between the switch and the rising water level. Up to three pre-set and independent switching levels may be incorporated on the a2 and each has options for single or change over contacts rated at 16 amps at 250vac.

Beer, Soft Drinks, Ice Bank and Product Thermostats



Part Number	Description		
ATEA01-0293	Product thermostat		
ATE0321	ice Bank Control		
	ON C'	Off C'	Diff C'
ATEA01-0293	1.5	0	2.5
ATE0321	+0.5	-2.5	3

High Limit Bi Metal Thermostats



Bi Metal over temperature thermostats combines reliable snap action over temperature switching with compact size. the range has several different sizes and a wide variety of mounting positions. approvals include UL, C-UL, Vde, en 60730 and CCee, and ratings go from 15a 120 volt and 10a 250 volt resistive load. differentials can be as low as 3° C. autoreset or manual reset combinations available across the range. in addition, we can supply purpose made thermostat carriers in metal, delrin or nylon to your specific designs, and supply the combination as a full assembly.

ATEA Boiler Thermostats



Cord Sets and Plugs



a full range of Cord Sets, Moulded Sockets, Chassis Mounts, re-Wireable Plugs, dC Power Cords, Power inlets and Power outlets.

Suitable for the UK, Ireland, Hong Kong, Malaysia and Singapore. 3, 5, 10 and 13 amp fused—typical examples.

IN STOCK - READY TO DESPATCH

Part Number Description

MCC056 Uk13a - 3M Black 1.5mm" to Stripped

Part Number Description

MCC012 Uk13a - 2M Black 1.5mm" to Stripped

TIN026-A Uk13a - 2.5M White 1.5mm" to Stripped

MCC035 Uk10a - 2M White 1.5mm" to Stripped

MCC056 Uk13a - 3M Black 1.5mm" to Stripped

European



2 pins and 3 pins all suitable for class 0, 1, 2 and Schuko appliances. Used in Germany, Austria, Netherlands, Belgium, Sweden, Denmark, Norway, Finland, Switzerland, France, Italy, Spain and Portugal—typical examples.

Part Number Description

MCC074 90° "Schuko" - 2M White 1.5mm" to Stripped

MCC082 90° "Schuko" - 1.5M White 1.5mm" to Stripped

Specialist



Special Cord Sets suitable for the following countries are readily available:

Denmark, Israel, India, South Africa, Australia, New Zealand, USA & Japan

for volume discounts please contact our sales office: 01367 711 900

Prices subject to change.

order online www.abbeychart.co.uk

Moulded Sockets



Part Number	Size
MCC075	neMa5-15r (USA) Socket - 3M Black 1.5mm" to Stripped

13 Amp Plugs



3, 5, 10 and 13 amp fused available in White or Black

Part Number	Description
SCO001	13 amp Plug-White c/w 13 amp fuse
SCO002	13 amp Plug-White c/w 3 amp fuse

IEC Power Inlets



Part Number	Description
MCC07071	rivet/Screw Mounting with Screw fix 6.3 mm
MCC0718	Horizontal Push-in Mounting

for volume discounts please contact our sales office: 01367 711 900

Prices subject to change.

LED Lights



Led lights can substitute traditional daylight lamps, or create dramatic and exciting coloured lighting effects, in all situations that require lighting in commercial and household applications.

- easy to mount
- durable and harder to damage
- Longer working life
- (40,000 hours)
- reductions to energy and servicing costs

Constant electrical contact with each module ensures a small thermal value, long life span and consistent brightness. Colour temperatures between 2500-10000k are available, close to natural light.

Self Adhesive Flexible LED Strips



IN STOCK - READY TO DESPATCH

Part Number	Description
OW60-S1210-W	12VdC SMD White Strip

Features

- Brightness: Standard, non-flickering Led
- Height: 3mm
- flexible PCB board: Bend angle more than 140 degrees
- Units: 3 Leds, can be cut anywhere to size
- input Voltage: 12V dC

Colours Choice of: Warm White, Blue, green, yellow and red or rgb (with 7 colour cycle - rgb strips require a controller unit to activate colour cycles).

typical Part no. OW60-s1210 -W SMD Led Warm White Strip

Contact our Sales office for more part numbers or specifications.

a flexible SMD Led strip on environmentally-friendly flexible PCB board. this strip can be cut to size easily for multiple requirement and diy installation.

Possible applications: Widely used to illuminate signage and in decorative lighting, back lighting panels, edge lighting and cover lighting.

- Self adhesive backing strip for easy application
- Sold in 5m reels, or pre-cut lengths up to 5m
- available as unsealed strips, or strips sealed in clear covering for further durability, for example, for outside use or for use near liquids.

Transformer

IN STOCK - READY TO DESPATCH

Part Number	Description
OWTRA-12V-36W	12VdC transformer/36W for 5050

order online www.abbeychart.co.uk

High Intensity LED Plug in



High intensity flexible SMD Led strip on environmentally friendly flexible PCB board, with aluminium backing. the strip can be cut to size easily for multiple requirements and diy installation.

Possible applications: Widely used in light boxes, display cabinets, archway, canopy, bridge edge lighting and decorative illumination.

- aluminium backed flexible SMD Led strip
- Self adhesive backing strip for easy application
- Sold in 1 metre or 1/2 metre lengths

Colours Choice of: Warm White, Blue, green, yellow and red typical Part no. OW12-iP67-W
12v dC SMD Bar, 1/2 metre length, Warm White Strip

Contact our Sales office for more part numbers or specifications.

LED Drop-in Replacements for Fluorescent Tubes



Led tube lights to replace standard fluorescent lighting with environmentally friendly solid-state lighting. Consistent bright illumination with a 120° viewing angle, the Led tubes fit easily into standard fluorescent light fittings

available in Cool White or Warm White temperatures.

Advantages:

- More energy efficient
- Contains no mercury
- Longer working life
- reduces servicing costs
- easier to maintain

table shows Cool White temperature tubes - Warm White temperature tubes available at the same prices

t5 model Led tubes available, ask our sales team for details or quotations

IN STOCK - READY TO DESPATCH	
Part Number	Description
OW-8060-162P-H3	Led drop-in replacements.

Part Number	Colour Temp.	Light Output	Power	LED Qty	Length
OW8060162PH3	6000-7000k	620lm	8W	162pcs	60cm
OW8090243PH3	6000-7000k	960lm	12W	243pcs	90cm
OW8120324PH3	6000-7000k	1300lm	16W	324pcs	120cm

for volume discounts please contact our sales office: 01367 711 900

Prices subject to change.

UV Lamps



IN STOCK - READY TO DESPATCH	
Part Number	Description
AF-UV6 LAMP/B	replacement Lamp for UV6 Unit
G8-T5	12"×8 Watt*UV Lamp

germicidal Lamps are low pressure mercury vapour lamps which produce UV radiation that is lethal to microorganisms. germicidal lamps emit strong UV radiation, exactly 253.7nm which has been determined to be the most effective wavelength for safely eliminating harmful bacteria

UV Sterilisation Equipment:

- air duct UV kits
- Submersible UV kits for Water
- Surface Sterilisation
- Custom design UV equipment

Applications include:

- Water Purification
- air Purification
- Surface Sterilisation
- Waste Water Purification
- aqua Cultural Water treatment
- food Processing Sanitation

also available:

- Cold Cathode UV tubes
- U-Shaped UV tubes
- Custom design UV Lamps
- Custom UV assemblies
- Mirco-Miniature UV tubes
- Quartz Sleeves for UV tubes
- ozone Producing UV Lamps
- High output UV Lamps
- Quartz glass
- Shatter Coated germicidal Lamps

G20T5

T-5 Tube	T-8 Tube	T-10 Tube	Germicidal
Lamps Min. Bi-Pin	Lamps Min. Bi-Pin	Lamps Min. Bi-Pin	Tube Lamps, 4 Pin Base
Part Number	Part Number	Part Number	Part Number
G4T5	G10T8	G20T10	G36T5L/4P
G6T5	G15T8	G40T10	
G8T5	G25T8		
G11T5			

order online www.abbeychart.co.uk

Run Back Timers

the Mi2 range of mechanical run back time switches are designed to offer long term reliability with multiple switch functions. the timing range can be factory preset for up to 14 hours and will control up to 2 independent switches set in any configuration. knobs and graduated dials available on request.

the Mi2 can be used for a variety of applications in several market sectors. these applications include, heaters, ovens, saunas, grills, barbecues.

Product code: He19067
run Back timer 0-12hr

Temperature Range:	-30 °C to 125 °C
Rated Voltage:	50 VaC
Insulation Class	Class i and ii, according to Cee24:1
Switching	2 pole change-over contacts
Resistive Switching	16 (4) a
Terminals	6.35 x 0.8mm tab terminals
Timing Range	1 minute to 12 Hours
Dielectric Strength	2500 VaC
Mounting	Via M4 or M3 panel screws and a lock nut
Life Expectancy	Minimum 10,000 cycles
Approvals	UL, Beab, CSa, Ute, Vde, keMa, SeMko, iMQ

Part Number	Description
HE19067	run Back timer 0-12hr
HE72019	
HE72019	

Flow Meters**Flow Meters**

Code				
Pol.2,2 KΩ	Pol.1,2 KΩ	Nozzle (mm)	Fixing	Output position
9.0.99.20g	9.0.99.52g	1.2	Pin	0°
9.0.99.21g	9.0.99.53g	1.2	Pin	90°
9.0.99.22g	9.0.99.54g	1.2	Pin	180°
9.0.99.23g	9.0.99.55g	1.2	Pin	270°
9.0.99.24g	9.0.99.56g	1.8	Pin	0°
9.0.99.25g	9.0.99.57g	1.8	Pin	90°
9.0.99.26g	9.0.99.58g	1.8	Pin	180°
9.0.99.27g	9.0.99.59g	1.8	Pin	270°
9.0.99.28g	9.0.99.60g	1.2	eyelet	0°
9.0.99.29g	9.0.99.61g	1.2	eyelet	90°
9.0.99.30g	9.0.99.62g	1.2	eyelet	180°
9.0.99.31g	9.0.99.63g	1.2	eyelet	270°
9.0.99.32g	9.0.99.64g	1.8	eyelet	0°
9.0.99.33g	9.0.99.65g	1.8	eyelet	90°
9.0.99.34g	9.0.99.66g	1.8	eyelet	180°
9.0.99.35g	9.0.99.67g	1.8	eyelet	270°

for volume discounts please contact our sales office: **01367 711 900**

Prices subject to change.

Element Gaskets

IN STOCK - READY TO DESPATCH

Part Number	Description
ASCF1403	tefLon reSiSt. gaSket

Part Number	Resist	Machine Suitability
ASCF1403	tefLon reSiSt. gaSket	CMa (Wega; astoria/ Costa; astra) futurmat, faema, fracino
ASCBE314	tefLon reSiSt. gaSket	Bezzera
ASCBF286	tefLon reSiSt. gaSket	Brailia
ASCC315	tefLon reSiSt. gaSket	Cimbali
ASCGI47	tefLon reSiSt. gaSket	gaggia
ASCIB205	reSiStanCe gaSket	iberital
ASCP327	tefLon reSiSt. gaSket	Marzocco
ASCM349	tefLon reSiSt. gaSket	Pavoni
ASCR462	tefLon reSiSt. gaSket	rancilio
ASCSP297	tefLon reSiSt. gaSket	San Marco
ASCSP240	Viton reSiSt. ring	Spaziale

Part Number	Resist	Machine Suitability
ASCAS13	reSiSt. Jgr 3 700W 230V	CMa (Wega; astoria/ Costa; astra) futurmat, faema, fracino
ASCBEO0	reSiSt. Jgr 5000W 220V	Bezzera
ASCBF238	reSiSt. Jgr 4000W 230V	Brasilia
ASCGI637	Xe-Xd 230V	gaggia
ASCIB218	reSiSt. Jgr 3700W 220V	iberital
ASCMZ40	reSiSt. Jgr 1000W 230V	Marzocco
ASCR11	4300W 230/ 400V	rancilio
ASCSM144	3700W 230/ 400V	San Marco
ASCSP77	2800W 230/ 400V	Spaziale

Special requirements regarding nozzle can be considered.

DOSE x IMPULSE (approx. values)		
Nozzle	cm ³ /imp	Imp/l
1.2	0.45	2222
1.8	0.77	1300

Measure precision: +/- 2%

Measure repeating: better than 0.2%

order online www.abbeychart.co.uk

Leaf Probe Type Thermocouple



IN STOCK - READY TO DESPATCH

Part Number Description

504-109 2m k type

other temperature sensors available, please contact abbeychart for further information.

Technical Specification

- t/c calibration: type k
- Sensor type: Bare tip embedded in leaf
- operating range: -50 to +450°C
- Cable construction: flat twin pair, glass fibre insulated, stainless steel braided
- Length: 2 metre standard
- Wire specification: 7 x 0.2mm stranded
- Leaf style: Stainless steel, 24W x 13L x 0.5H mm plate

N.B. this t/c is a grounded hot junction type

Miniature Thermocouple Connectors



IN STOCK - READY TO DESPATCH

Part Number Description

506-203 Mini Line Plug k type

506-204 Mini Line Socket k type

506-205 Plug & Socket k type

Technical Specification

- Body material: glass filled thermoplastic
- temperature rating: -29 to 220°C
- Wiring size: accepts 0.002 - 0.8mm strands
Max cable Ø is 4.9mm
- dimensions: 17 x 25 x 8mm (W x L x H) for sockets
17 x 21 x 8mm with 12mm long pins for plug,
16 x 19 x 8mm with 24 x 14mm flange for flanged socket
20.6Ø x 21 x 8mm with 16mm Ø cut-out for circular.

Part Number	Limiter Model Number	Temperature Setting	Reset Differential
800-584-006	tM1Cg06005S3L3029999	open on rise to 60°C ±5°C	15k ±10k
800-584-007	tM1Cg07005S3L3029999	open on rise to 70°C ±5°C	25k ±15k
800-584-008	tM1Cg08005S3L3029999	open on rise to 80°C ±5°C	25k ±15k
800-584-009	tM1Cg09005S3L3029999	open on rise to 90°C ±5°C	30k ±15k
800-584-010	tM1Cg10005S3L3029999	open on rise to 100°C ±5°C	35k ±15k
800-584-011	tM1Cg11005S3L3029999	open on rise to 110°C ±5°C	35k ±15k
800-584-012	tM1Cg12005S3L3029999	open on rise to 120°C ±5°C	40k ±15k
800-584-014	tM1Cg13005S3L3029999	open on rise to 130°C ±5°C	45k ±15k
800-584-015	tM1Cg14005S3L3029999	open on rise to 140°C ±5°C	45k ±15k
800-584-016	tM1Cg15005S3L3029999	open on rise to 150°C ±5°C	50k ±15k
800-584-017	tM1Cg16005S3L3029999	open on rise to 160°C ±5°C	50k ±15k
800-584-020	tM1Cg16005S3L4029999	open on rise to 160°C ±5°C	50k ±15k
800-584-024	tM1Cg18010S3L4029999*	open on rise to 180°C ±10°C	50k ±15k

*180°C nonstandard product and not Vde approved 800-584-020 comes with high voltage (600v) leads

Also available on request from Limitor.

O Series - Thermo Switch (Auto Reset, Normally Open)

the thermo switch o is used whenever switch-on function is needed, caused by overheating or increasing temperature. Specific applications include: cooling fan, alarm signal, controller, timer.

Breaking Capacity	1.0a (250V/50Hz)
Min Current	20ma
Switching Temperature	50°C to 130°C ±10k
Switching Differential	10k to 60k
Max. Ambient Temperature	160°C (200°C for 1 minute)
Certificates	Vde
Dimensions	17.5 x 8.0 x 4.0mm



Q Series - Temperature Limiter (Self-Hold, Normally Closed)

the temperature limiter Q is used wherever, on the one hand, protection against over temperatures is required, and, on the other hand, automatic cut-in of the device to be protected - subsequent to a follow-on cooling down period - is undesirable or not permissible.

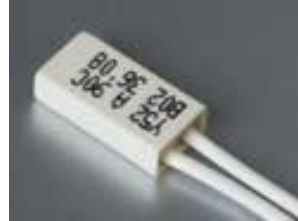
Breaking Capacity	2.5(1.0)a (250V/50Hz)
Min Current	5V 20ma
Switching Temperature	40°C to 120°C ±10k
Switching Differential	Self Hold
Max. Ambient Temperature	160°C
Certificates	Vde, UL
Dimensions	17.5 x 8.0 x 4.0mm



Y Series - Current & Temperature Limiter (Self-Hold & Current Sensitivity, Normally closed)

the current and temperature limiter y is used wherever, on one hand, protection against over temperatures as well as against over currents is required, and on the other hand, automatic switch on function of the device to be protected - subsequent to a follow-on cooling down period - is prohibited or undesired.

Breaking Capacity	2.5(1.0)a (250V/60Hz)
Min Current	5V 20ma
Switching Temperature	40°C to 120°C ±5k
Switching Differential	Self Hold
Max. Ambient Temperature	160°C
Holding Resistor	0.1kΩ - 60kΩ
Trigger Resistor	0.05Ω - 400Ω
Certificates	Vde, UL
Dimensions	17.5 x 8.0 x 4.0mm



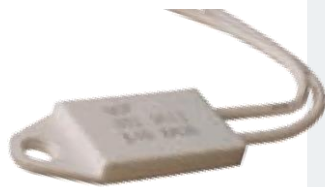
TB97 Series - High Temperature Thermal Overload Protector (Auto Reset, Normally Open or Closed)

the tB97 is based on reliable bimetal snap-disc technology and especially designed for application when high operating temperatures are required. even if the operating temperature is higher than 400°C the tolerance is within ± 15k.

Breaking Capacity	10a (230V); 6a (400V)
Min Current	5V 20ma
Switching Temperature	200°C to 450°C ±15k
Switching Differential	100k ±20k
Max. Ambient Temperature	160°C
Certificates	Vde
Dimensions	27.5 x 15.5 x 12.5mm



SS1U Series - Small & Thin, Drip Proof Type



Technical Specification

- Basic features: SPSt automatic reset
- operation: L: Contacts open on temperature rise
f: Contacts close on temperature rise
- electrical rating: aC250V/3a
- Calibration method: Hot and cold air circulation system
- temperature rating: operating temperature Max. 105°C
- insulation resistance: 1,000MΩ or more / dC500V
- dielectric strength: aC1,500V/1min. or aC1,800V/1sec
- Standard: UL 60730, C-Ur
UL file no. e201152
aC250V/3a
- dimensions: 27.5mm x 12mm x 3.4mm
- Leads: 150mm, 10mm stripped ends

MH4 Series - Thin, Water Proof Type

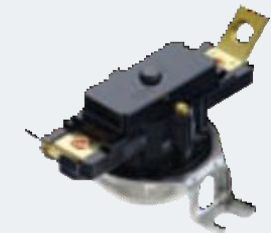


Technical Specification

- Basic features: SPSt automatic reset
- operation: L: Contacts open on temperature rise
f: Contacts close on temperature rise
- electrical rating: dC13.5V/7a
- Calibration method: Hot and cold air circulation system
- temperature rating: operating temperature Max. 70°C
- insulation resistance: not less than 1,000MΩ dC500Vi
- dimensions: 31mm x 17.5mm x 6.5mm
- Leads: 120mm, 10mm stripped ends

Snap Discs

3/4" Disc Thermostat Type 43M Manual Reset



Technical Specification

- Basic features: SPSt automatic reset
- operation: L: Contacts open on temperature rise
- electrical rating: aC250V/25a
- Calibration method: Hot and cold air circulation system
- temperature rating: operating temperature Max. 150°C
- insulation resistance: not less than 1,000MΩ dC500V
- dielectric strength: not less than aC2,000V/2sec
- dimensions: 39.7mm (flange fixing centres) x 45mm (terminals width x 25.9mm (o/a height))

Surface Mount (1/2") Bimetallic Switches (Auto Reset)



Technical Specification

- approvals: Vde, UL CSa
- electrical life: 100,000 cycles 10a, 10,000 cycles 16a
- Contact resistance: <30m ohms
- terminals: 6.3mm x 0.8mm male quick connect
- dielectric strength: 1500Vac 1 minute
- dimensions: 33 x 12 x 16mm (W x H x d) - horizontal terminal
17 x 21 x 16mm (W x H x d) - vertical terminal
- fixing centres: 24.5mm (hole 3.2 x 3.7mm)
- insulation resistance: 1M ohm min. @ 500Vdc
- Contact rating: SPSt 16a 250Vac, 15a 125Vac resistive
- typical applications: normally closed - top temperature limiters on heaters, normally open - cooling fans, alarms
- Body Material: Phenolic - to 150°C set points, polyester/Bio-glass -170°C set point, Ceramic - 200°C to 250°C set points
- Mounting Bracket: Stainless Steel

Open on Rise (NC), Horizontal Terminals - Type 03

Part Number	Set Point	ResetTemp
311-101	40°C ± 3°C	40°C ± 3°C
311-102	50°C ± 3°C	50°C ± 3°C
311-103	60°C ± 3°C	60°C ± 3°C
311-104	70°C ± 3°C	70°C ± 3°C
311-105	80°C ± 3°C	80°C ± 3°C
311-106	90°C ± 3°C	90°C ± 3°C
311-107	100°C ± 3°C	100°C ± 3°C
311-108	110°C ± 3°C	110°C ± 3°C
311-109	125°C ± 3°C	125°C ± 3°C
311-114	140°C ± 3°C	140°C ± 3°C
311-112	170°C ± 3°C	170°C ± 3°C
311-110	150°C ± 3°C	150°C ± 3°C

Open on Rise (NC), Vertical Terminals - High Temperature - Ceramic - Type 52'

Part Number	Set Point	Reset Temp
311-335	200°C ± 10°C	160°C ± 15°C
311-337	225°C ± 10°C	175°C ± 15°C
311-339	250°C ± 10°C	200°C ± 20°C

Open on Rise (NC), Vertical Terminals - Type 03

Part Number	Set Point	ResetTemp
311-147	15°C ± 3°C	5°C ± 3°C
311-148	20°C ± 3°C	10°C ± 3°C
311-150	30°C ± 3°C	20°C ± 3°C
311-151	40°C ± 3°C	25°C ± 3°C
311-152	50°C ± 3°C	35°C ± 3°C
311-154	70°C ± 3°C	55°C ± 3°C
311-155	80°C ± 3°C	65°C ± 3°C
311-156	90°C ± 3°C	75°C ± 3°C
311-157	100°C ± 3°C	85°C ± 3°C
311-158	110°C ± 3°C	110°C ± 3°C
311-159	125°C ± 3°C	95°C ± 3°C
311-160	150°C ± 3°C	130°C ± 3°C

Close on Rise (NO), Vertical Terminals - Type 03

Part Number	Set Point	ResetTemp
311-250	40°C ± 3°C	25°C ± 5°C
311-251	60°C ± 3°C	45°C ± 4°C
311-256	90°C ± 3°C	75°C ± 4°C

Surface Mount (1/2") Bimetallic Switches (Manual Reset)



Technical Specification

- fixing centres: 23.8mm
- Maximum current: 20a resistive
- electrical life: 600 operations
- Contact rating: 16a 250Vac resistive

IN STOCK - READY TO DESPATCH

Part Number Set Point

311-302	67°C nC ± 3°C
311-303	80°C nC ± 3°C
311-307	132°C nC ± 3°C
311-308-001	150°C nC + / 3°C

nC + normally closed.
for volumes over 100 pcs please call the sales office.

Surface Mount (1/2") Bimetallic Switches (Small Manual Reset) - Type 05



Technical Specification

- Contact rating: 16a at 250Vac/15a at 125Vac
- terminals: 6.3 x 0,8mm horizontal male connect
- dielectric strength: 1500Vac for 1 minute
- tolerance: ±4°C (40 to 100°C) ±5°C above 100°C
- dimensions: 33mm across terminals, 16mm high over Button, Ø16mm od body
- fixing centres: 24.5mm, (hole 3.2 x 3.7mm)
- Material: Phenolic body s/s mounting bracket (freely rotating)
- approvals: Vde, UL, CSa Beab
- Manual reset: normally closed

IN STOCK - READY TO DESPATCH

Part Number Set Point

311-321	Man reset 45°C nC ± 4°C toL
311-322	Man reset 55°C nC ± 4°C toL
311-323	Man reset 65°C nC ± 4°C toL
311-324	Man reset 80°C nC ± 5°C toL
311-325-001	Man reset 90°C nC ± 5°C toL
311-326	Man reset 100°C nC ± 5°C toL
311-329	Man reset 150°C nC ± 5°C toL
Vertical terminals	
311-317	Man reset 115°C nC ± 5°C toL

for volumes over 100
pcs please call the
sales office.

for volume discounts please contact our sales office: 01367 711 900

Prices subject to change.

order online www.abbeychart.co.uk



Hygiene and Cleaning

A complete range of cleaning and disinfecting products for vending, drinks vending, catering, coffee, water and beverage applications. Providing superior, safe cleaning solutions while combating a wide range of micro organisms such as MRSA, HEPB, Tuberculosis, Listeria and Ecoli

Antistatic Cleaners

Gloves

Brushes

Silicone Grease

Disinfectants

Towels and Cloths

Brewer Cleaners

Milk Line Cleaners

Disinfectant GHS and Wipes

Dosing and Spray Bottles

Water Cooler Sanitiser

Descaling Tablets and Powder

Abbeychart hygiene and cleaning products provide the complete solution to combating a wide range of micro organisms

A separate catalogue detailing our full range is available, just contact our Sales Team.



Vendshield Brewer Cleaner

Vendshield is a powerful liquid all in one cleaner, which can be supplied in 1ltr or 5ltr bottles. this product can be used concentrated or diluted depending on application. Vendshield is a simple, effective and efficient cleaner designed to destain, descale and sanitise the internal and external components of vending machines and drinks dispensing machines.

IN STOCK - READY TO DESPATCH

Part Number	Description
BI0036	1 Litre bottle - High strength Vendshield
BI0014	5 litre bottle

Milk Line Cleaner

a combined cleaner and sanitiser designed for removing 'milkstone' from automatic milk frother systems. this product comes in a clear and graded bottle.

IN STOCK - READY TO DESPATCH

Part Number	Description
BI0011	1 litre bottle - High Strength Milk Line Cleaner

for volume discounts please contact our sales office: 01367 711 900

Prices subject to change.

Disinfectant Solution



disinfectant cleaning solution for the cleansing and disinfecting of food vending, drinks vending and general catering machines. non-irritant product with superior cleaning action while combating a wide range of micro-organisms such as MrSa, Hep B, tuberculosis, Listeria and e-coli. non-tainting and food safe.

IN STOCK - READY TO DESPATCH

Part Number	Description
BIO001	500ml trigger spray
BIO007	5 litre bottle - diluted solution ready to use

Part Number Description

BI0BC005	5 litre bottle concentrate
----------	----------------------------

Surgical Hand Gel



Safe to use and user-friendly: Product contains cosmetic skin conditioners and moisturisers, which assist in reducing skin sensitisation and irritation in environments where continual hand washing is required.

Superior cleaning and hygiene: Product contains boosted alcohol levels, giving superior hygiene control and more efficient cleaning action. independent testing: Product independently proven to British Standards effective against a wide variety of micro-organisms such as MrSa, Hep B, tuberculosis, HIV, Listeria and e-coli.

IN STOCK - READY TO DESPATCH

Part Number	Description
BIO032	50ml + clip and reel

Part Number	Description
BI0032A	50ml gel refill
BI0033	100ml hand gel
BI0034	500ml hand gel
BIODIPS	Wall mounted dispenser
BI0BG1000	1000ml cartridge for BiodiPS

A wide range of user friendly hand cleaning products available. For more details contact our sales team on Tel. 01367 711900



order online www.abbeychart.co.uk



Disinfectant Wipes

all of our wipes are impregnated with our disinfectant cleaning solution for the cleansing and disinfecting of food vending, drinks vending and general catering machines. non-irritant product with superior cleaning action while combating a wide range of micro-organisms such as MrSa, Hep B, tuberculosis, Listeria and e-coli. non-tainting and food safe.

IN STOCK - READY TO DESPATCH

Part Number	Description
BIO003	150x Heavy duty Hand & Surface
Part Number	Description
BIO030	200 wipes tub-Light duty

Sanitising Wipes

Sanitising wipes for wiping down cool water dispensers, UV systems, still water pipework, caravans boats and water storage tanks. kills bacteria, viruses, algae, fungi and spores. QaC free.

Part Number	Description
AQC005	200 light duty wipe canister
AQC006	150 heavy duty wipe canister



Spare Components

Part Number	Description
BIO022	500ml dosing bottle Spare dosing bottle for Vendshield.
BIO021	500ml trigger spray bottle Spare spray bottle for Vendshield.
BIO018	Pelikan pump Hand pump for decanting concentrated chemicals from 5 litre bulk container for dilution.

Liquid Descaler PH Neutral



non-hazardous, biodegradable descaler for use on any surface with scaling problems.

IN STOCK - READY TO DESPATCH

Part Number	Description
BIO013	1 Litre Bottle

for volume discounts please contact our sales office: 01367 711 900

Prices subject to change.

Water Cooler Sanitiser, Internal Use



Sanitising and cleaning for cool water dispensers, UV systems, still water pipework, caravans, boats and water storage tanks. kills bacteria, viruses, algae, fungi and spores. QaC free.

IN STOCK - READY TO DESPATCH

Part Number	Description
AQC003	1 litre internal Water Cooler
AQC004	5 litre internal Water Cooler

Part Number	Description
AQC002	100ml bottle

Water Cooler Sanitiser, External Use



Sanitising and cleaning for cool water dispensers, UV systems, still water pipework, caravans, boats and water storage tanks. kills bacteria, viruses, algae, fungi and spores. QaC free.

IN STOCK - READY TO DESPATCH

Part Number	Description
AQC001	500ml spray

Brewer Cleaner Tablets



abbeychart Bioguard brewer cleaning tablets contain high levels of active agents compared with other traditional makes of tablet, providing a superior cleaning action. the abbeychart Brewer cleaner tablet has been designed to dissolve 2-3 times quicker than market alternatives, thus ensuring that on each cleaning cycle the tablet fully dissolves eliminating the risk of blocking pistons, inlet valves and filters. there is no risk of corrosion to machine parts, unlike traditional aggressive de-staining chemicals. fits most coffee brewers; the tablets can also be used for back flushing on traditional espresso equipment.

IN STOCK - READY TO DESPATCH

Part Number	Description
BIO023B	Bean to cup tablet x 100

order online www.abbeychart.co.uk



Hygiene and cleaning products for drinks vending and catering applications.

A separate catalogue detailing our full range is available, just contact our Sales Team.

Brewer Cleaner Powder



Quick dissolving powder descaler, for cleaning group heads and back flushing on traditional machines. Superior cleaning enables improved dispensed product quality. non-hazardous, biodegradable descaler for use on any surface with scaling problems.

IN STOCK - READY TO DESPATCH

Part Number	Description
BIO028	1 kg tub with dosing spoon

Descaling Powder



Powder descaler for removing hard water scale from any machine or appliance. additionally, can be used for removing milkstone from the milk lines of automatic frother systems.

IN STOCK - READY TO DESPATCH

Part Number	Description
BIO004	1kg tub

Scaleklean



IN STOCK - READY TO DESPATCH

Part Number	Description
EP9796-50	Scaleklean 50g
EP9796-200	Scaleklean 200g
EP9970-21	Scaleklean 1kg

for volume discounts please contact our sales office: 01367 711 900

Prices subject to change.

Cafiza Espresso Cleaner Powder



Cafiza espresso Machine Cleaner Powder is an integral part of the daily maintenance routine for espresso machines. Specifically formulated for effective use in the back flush cleaning process, Cafiza is designed to combine maximum solubility and cleaning power with easy rinsability. Cafiza is recommended for use with a wide range of traditional espresso machines and is nSf certified for safety and metal compatibility.

IN STOCK - READY TO DESPATCH

Part Number	Description
URN12ESP12-20	Cafiza Powder 20oz (566g) tub

Part Number Description

URN12ESP10014	100x 1/4 oz packet (7g)
---------------	-------------------------

Rinza Milk Frother Cleaner

IN STOCK - READY TO DESPATCH

Part Number	Description
URN12MILK6-32	Urnex rinza Milk frother fluid



Cafiza Espresso Cleaner Tablets



Cafiza espresso Machine Cleaning tablets are specifically designed for use on a wide range of super automatic espresso machines. We have worked long and hard to develop a product that meets the demands of a wide range of commercial and domestic fully automatic espresso machines. Cafiza espresso Machine Cleaning tablets are nSf certified for metal compatibility and safety. they are available in 4 standard sizes for technical commercial uses. as an added benefit, our standard size Cafiza tablets offer flexibility to operators with traditional espresso machines, as they can also be used to perform a back flush cleaning.

IN STOCK - READY TO DESPATCH

Part Number	Description
URN12-ESPTH12-100	Cafiza 1.2g tablet- 100 / Jar
URN12ESPTAB12-	100 Cafiza 2.0g tablet- 100 / Jar

SL2 Liquid Descaler



IN STOCK - READY TO DESPATCH

Part Number	Description
RMF003	SL2 - Liquid descaler (1 ltr)

order online www.abbeychart.co.uk

Grindz Grinder Cleaner Tablets



the world's first and only product for cleaning coffee grinders, grindz grinder Cleaner is a patent pending innovation launched in June of 2005. the product is an all natural, food safe, and flavor neutral combination presented in coffee bean shaped tablets. grindz quickly and effectively removes stale coffee residue and flavoured coffee odours from the internal burrs and casings of coffee grinders. requiring no grinder disassembly, grindz users simply run the product through the machine just like coffee.

Part Number	Description
URN17GRINDZ12-430	430g grinder Cleaner

Dezcal Descaler Tablets



dezcal tablets are specifically formulated to effectively descale hot water tanks and components of coffee and espresso machinery, by removing mineral deposits which clog and impair brewing equipment. the tablet format now allows for controlled dosing and easy use when descaling equipment, with added transportation benefits. tablets dissolve quickly in warm or cold water, and the required dosage is 1 tablet per 250mL of water. non-toxic and bio-degradable, dezcal tablets are suitable for use by both professional technicians and home users alike. When used on commercial and "closed system" brewers (with a holding tank), special attention should be paid to rinsing.

Part Number	Description
URN15DEZTAB12-120	descaler tablets x120 per Jar

Descal Active Descaler



dezcal activated Scale remover is specifically formulated to quickly and effectively descale the hot water tanks and components of coffee and espresso machinery. By removing mineral deposits, which clog and impair brewing equipment, dezcal allows machines to perform at optimal levels. non-toxic and biodegradable, dezcal is suitable for use by both professional technicians and home users alike.

Part Number	Description
URN15DEZC100-1	100 x1 oz packet (28g)
URN15DEZC4835	48 x 3.5 oz packet (98g)

TABZ Coffee Brewer Cleaning Tablets



dual application tablet optimizes portion control and cleaning. Cleans brew basket and server in one simple step. Blue colour ensures proper rinsing. tablet format eliminates dust, waste and operator error. Listed by the organic Materials review institute (oMri™) for use in organic production.

Part Number	Description
URN13TABZL12-120	4g x 120 tablet Jars

Original Urn & Brewer Cleaner



Urnex Urn and Brewer Cleaner has been an essential element of proper coffee equipment maintenance for nearly 70 years the original product in the Urnex portfolio, Urnex Urn and Brewer Cleaner is designed to remove stale coffee oil residue and ensure consistently great tasting beverages Urnex Urn and Brewer Cleaner is recommended for use on a wide range of equipment including coffee urns, airpots, thermal servers and glass bowls. as with many other Urnex products, Urnex Urn and Brewer Cleaner is nSf certified for safety and metal compatibility.

IN STOCK - READY TO DESPATCH	
Part Number	Description
URN11URN48-1	1 Case 48x1 oz packet (28g)

Part Number	Description
URN11URN1001	1 Case 100x1 oz packet (28g)

Bioguard Milk Cleaning Powder



IN STOCK - READY TO DESPATCH	
Part Number	Description
BIO004	1kg tub descaler & Milkstone

Liquid Descaler



IN STOCK - READY TO DESPATCH	
Part Number	Description
BIO013	1 Ltr Bioguard Liquiddescaler

Brewer Cleaning Tablets



IN STOCK - READY TO DESPATCH	
Part Number	Description
BIO023B	Bioguard labelled new Spec.

Brewer Cleaning Power & Vendshield Brewer Cleaner



IN STOCK - READY TO DESPATCH	
Part Number	Description
BIO028	destainer for Back flushing,
BIO044	detanin Powder

Bleach Chlorine Tablets



a safe and convenient way of producing active chlorine solution for sterilisation. one tablet in 5 litres of water is adequate for most normal disinfection purposes. effective against bacteria, fungi, viruses and spores. each tablet liberates 1000 PPM of chlorine per 1 litre of water. this product is Un listed and hence transportation restrictions apply. further information is available upon request.

IN STOCK - READY TO DESPATCH	
Part Number	Description
RMF005	Chlorine tablets (200 Per tub)

Tango



tannin and general stain remover with sanitising action. Used to clean coffee brewers, tea dispensers and machine parts. Safe on plastics and stainless steel, leaves no taint or odour.

IN STOCK - READY TO DESPATCH	
Part Number	Description
RMF002	10 kilo tub destainer
RMF004	1 X 500gm tub of tango

Glaze



glaze dissolves dirt, film, smudges, finger marks, crayon and insect marks. Cleans and polishes glass and other surfaces in one operation.

IN STOCK - READY TO DESPATCH	
Part Number	Description
THA001B	glaze, 750ml glass Cleaner

AmberClens Anti-Static Cleaner



amberclens quickly and easily removes all types of dirt, grease, stains, soiling and other contamination from hard surfaces and fabrics. amberclens can also be used for cleaning office equipment, domestic appliances, worktops, walls and cabinets. this product is Un listed and hence transportation restrictions apply.

IN STOCK - READY TO DESPATCH	
Part Number	Description
AS001	anti Static foaming Cleaner
THA003	Caterzan Sanitiser Spray

Food Safe Lubricant



food safe lubricant for use in food environments. odourless, colourless. this product is Un listed and hence transportation restrictions apply. further information is available upon request.

IN STOCK - READY TO DESPATCH

Part Number	Description
DH12	food Safe Lube - 400ml Can

Silicone Grease M494



Food Grade Silicone Grease M494

IN STOCK - READY TO DESPATCH

Part Number	Description
ASM494	50g - food grade, non Setting

Food Grade Silicone Spray

IN STOCK - READY TO DESPATCH

Part Number	Description
THA005	t-Sil foodgrade Silicone Spray

Gloves, Blue Paper Towels and J Cloths



IN STOCK - READY TO DESPATCH

Part Number	Description
GN03-LAR-PF	Powder free Blue Vinyl gloves
GN03-LARGE	Large Latex gloves Lightly
GN03-MEDIUM	Medium Latex gloves Lightly
GN03-NITRILE	Large nitrile gloves
GN03-MED-PF	-

Part Number	Description
GN03SMALL	Latex gloves - Small
ABD001	Blue Vinyl Powdered gloves

Blue Paper Towel

roll of highly absorbent 2 ply paper towel.

IN STOCK - READY TO DESPATCH

Part Number	Description
HR063	10" Blue Hygiene roll 2 Ply

J Cloth

Pack of 50 general purpose wipe down cloths.

Part Number	Description
ABDCHP02J	Pack of 50 (50cm x 36cm)

Brush Machine Cleaning



IN STOCK - READY TO DESPATCH

Part Number	Description
HBC009	twisted Wire Brush - 004201
HBC006	tube Brush - Bristle or nylon
HBC011	tube Brush/White nylon/ 432mm
HBC005	356MM (64x4.8MM) d43 - tUBe
HBC002	455mm Wire Brush (65 x 7.9mm)
HBC003	305MM (95MMx9.5MM) aL5n3/8
ASCV26	Special brush for cleaning espresso group heads
HBC001	455 Wire Brush (90x13.76mm)

HBC002 overall length 455mm with bristle length of 65mm and 7.9mm width

HBC003 overall length 305mm with bristle length of 95mm and 9.5mm width

HBC004 overall length 432mm with bristle length of 95mm and 13mm width

HBC005 overall length 356mm with bristle length of 64mm and 4.8mm width

HBC006 overall length 318mm with bristle length of 76mm and 7.9mm width

HBC007 overall length 216mm with bristle length of 76mm and tapered 3.2mm to 22mm width

HBC008 overall length 559mm with bristle length of 95mm and 13mm width

G002 overall length 200 mm with bristle length of 60mm and 20mm width (Pastry Brush)

Airflow can play a critical part in ensuring the efficiency of equipment from heating to cooling. Abbeychart's range of fans are designed to meet those application requirements

fans

- Axial
- Centrifugal
- Tangential

AC Axial Fans

Part Number	Voltage	Diameter (mm)	Sunon Part No.
THE849	115V	80 x 80 x 25	Sf11580atS1082HSL Sf11580arB1082HBL
THE606 THE605	230V		Sf23080atS2082HSL Sf23080atB2082HBL
THE1008	115V	80 x 80 x 38	Sf11580aS1083HSL Sf11580aB1083HBL
THE1000 THE950	230V		Sf23080aS2083HSL Sf23080aB2083HBL
	115V	92 x 92 x 25	Sf11592aS1092HSL Sf11592aB1092HBL
THE953	220V		Sf23092aS2092HSL Sf23092aB2092HBL
	115V	120 x 120 x 25	SP101atS1122HSL SP101atB1122HBL
	220V		dP201arS2122HSL dP201arB2122HBL
	115V	120 x 120 x 38	SP101aS1123HSL SP101aB1123HBL
THE903 THE956	220V		dP201aS2123HSL do201aB2123HBL
PAPST4530N PAPST4580N	ebmpapst 115V ebmpapst 230V	119 x 119 x 38	
TA500110V	torin 110V	127 x 127 x 38	

full technical details available on request. HBL - Ball Bearing HSL - Sleeve Bearing.

Brushless DC Axial Fans



Part Number	Diameter (mm)	Description
THE101	60 x 60 x 25	60x60x25mm 24V dC Sleeve Bearing
THE609	80 x 80 x 25	80x80x25mm 24V dC Sleeve Bearing
THE800	92 x 92 x 25	92x92x25mm 24V dC Sleeve Bearing
THE703	120 x 120 x 25	120x120x25mm 24V dC Ball Bearing

other square sizes are 20, 25, 30, 35, 40, 45, 50, 52 & 55. Voltages 12 & 24. Ball or sleeve bearing. full technical details available on request.

Axial - Flow Fans

AX Series

Starting from 90 up to 600m³/h available on request:

Motors with voltages from 24V to 240V aC, 50/60 Hz are available with single or 2 speed.

MA Series

flow fans with ring series Ma, 19 and 100mm diameter fan blades.



Centrifugal Fans

- Crt - Single flow centrifugal fans starting from 30 up to 350 m³/h
- the Crt 05 Series has shaded pole 13 Watt input, Vde approved
- Housing and fan of black plastic
- Motor support is aluminium
- the Crt 07 Series has shaded pole 17 Watt input, Vde approved
- Housing and supports are aluminium
- fan is black plastic
- full technical information available on request

Also available

dd - double flow centrifugal fans starting from 150 up to 300 m³/h



IN STOCK - READY TO DESPATCH

Part Number	Description
CRT05/A-110	Crt05 110V fan
XA-CAP05B-016	230 VaC Centrifugal fan
CRT07-220	220V Centrifugal Blower

Part Number	Voltage
CRT 07 Series	
CRT05A110	110 Volt
CRT05A220	220 Volt
With cowl and 25 mm (1") duct plate	
CRT05N25110	110 Volt
CRT05N25220	220 Volt
With cowl and 35 mm (1 1/4") duct plate	
CRT05N36110	110 Volt
CRT05N36220	220 Volt
CRT 07 Series	
CRT07A110	110 Volt
CRT07A220	220 Volt

for volume discounts please contact our sales office: 01367 711 900

Prices subject to change.

order online www.abbeychart.co.uk

Axial Fans

80x80 mm

PartNumber	Manufacturer	Model	Depth	Speed	RPM	Flow rate		Bearing	Voltage	Connections
						CFM (50Hz)				
FA8038-24LSW 760MM	fulltech	Uf80a23SWL	38	Low	1900	20		Sleeve	230Vac 50/60Hz	760mm Leads
FA8038-24LBW 660MM	fulltech	Uf80a23BWL	38	Low	1900	20		Ball	230Vac 50/60Hz	660mm Leads
FA8038-24HSW 660MM	fulltech	Uf80a23SWH	38	High	2500	24		Sleeve	230Vac 50/60Hz	660mm Leads
FA8038-24HBW 660MM	fulltech	Uf80a23BWH	38	High	2500	24		Ball	230Vac 50/60Hz	660mm Leads

92x92 mm

Part Number	Manufacturer	Model	Depth	Speed	RPM	Flow rate		Bearing	Voltage	Connections
						CFM (50Hz)				
FA9225-24HBW	fulltech	Uf92B23BWH	25	High	2500	26		Ball	230Vac 50/60Hz	300mm Leads
FA9238-24HBW	Sinwan	S938aP-22-1WB	38	High	2500	43		Ball	150-260Vac 50/60Hz	300mm Leads

120 x 120 mm

PartNumber	Manufacturer	Model	Depth	Speed	RPM	Flow rate		Bearing	Voltage	Connections
						CFM (50Hz)				
FA1225-24LBW	fulltech	Uf12B23BWL	25	Low	1600	46		Ball	230Vac 50/60Hz	300mm Leads
DP203AT-2122LBL.GN	Sunon	dP203a	25	Low	1700	47		Ball	220-240Vac 50/60Hz	320mm Leads
FA1225-24MBW	fulltech	Uf12B23BWM	25	Medium	2000	55		Ball	230Vac 50/60Hz	300mm Leads
DP201AT-2122HBT.GN	Sunon	dP201at	25	High	2150	66		Ball	230Vac 50/60Hz	terminals
FA1225-24HBW 660MM	fulltech	Uf12B23BWH	25	High	2400	64		Ball	230Vac 50/60Hz	660mm Leads
FA1238-24LS 660MM	fulltech	Uf12a23SWL	38	Low	2100	75		Sleeve	230Vac 50/60Hz	660mm Leads
FA1238-24LBW 660MM	fulltech	Uf12a23BWL	38	Low	2100	75		Ball	230Vac 50/60Hz	660mm Leads
DP203A-2123LBL.G	Sunon	dP203a	38	Low	2150	72		Ball	220-240Vac 50/60Hz	310mm Leads
FA1238-24MBW 760MM	fulltech	Uf12a23BWM	38	Medium	2500	85		Ball	230Vac 50/60Hz	760mm Leads
FA1238-11HS(TERM)	fulltech	Uf12a12StH	38	High	2700	92		Sleeve	115Vac 50/60Hz	terminals
FA1238-24HSW 760MM	fulltech	Uf12a23SWH	38	High	2700	92		Sleeve	230Vac 50/60Hz	760mm Leads
FA1238-24HB(TERM)	fulltech	Uf12a23BtH	38	High	2700	92		Ball	230Vac 50/60Hz	terminals
DP201A-2123HBL-760GN	Sunon	dP201a	38	High	2750	87		Ball	220-240Vac 50/60Hz	760mm Leads
DP200A-2123XBL.GN	Sunon	dP200a	38	X. High	2850	97		Ball	220-240Vac 50/60Hz	320mm Leads
DP200A-2123XBT.GN	Sunon	dP200a	38	X. High	2850	97		Ball	220-240Vac 50/60Hz	terminals

- full size range available: 40mm to 127mm
- dC versions available

Applications Include:

- telecoms
- Ventilation
- Led Cooling Modules
- Passive Cooling Solutions



127 x 127 mm

Part Number	Manufacturer	Model	Depth	Speed	RPM	Flow rate		Bearing	Voltage	Connections
						CFM (50Hz)				
FA1338-24HBW	fulltech	Uf13a23BWH	38	High	2700	103		Ball	230Vac	310mm Leads

Axial Fan Accessories

Part Number	Description
FG80-5	axial fan guard 80 x 80mm - metal screw-on
FG80P-2	axial fan guard 80 x 80mm - plastic push-on
FG80S HA	axial fan guard 80 x 80mm - plastic screw-on
FG92-5	axial fan guard 92 x 92mm - metal screw-on
FG120P	axial fan guard 120 x 120mm - plastic push-on
FG120S	axial fan guard 120 x 120mm - plastic screw-on
FG120-17	axial fan guard 120 x 120mm - metal screw-on
FG127	axial fan guard 127 x 127mm - metal screw-on



for volume discounts please contact our sales office: 01367 711 900

Prices subject to change.

order online www.abbeychart.co.uk

DC 40x40x20mm, 80x80x25mm, 120x120x38mm



Technical Specification

- Housing/Blade: Plastic UL 94V-0 P.B.t
- insulation resistance: 10MΩ, 500VdC/min between bare wire and frame
- dielectric Strength: 5mamax. 500VaC/min between bare wire and frame
- operation temperature: -20°C-70°C (Humidity 15%-90%rH)
- Storage temperature: -40°C-85°C (Humidity 15%-90%rH)
- Lead Wire: UL type #26aWg

Model Number	Bearing Availability	Rated Voltage (VDC)	Operating Voltage (VDC)	Actual Current (mA)	Power (w)	Speed (RPM)	Air Flow (CFM)	Static Pressure (mm-H, 0)	Noise (dBA)	Additional Function
FD4020B12W7-81*	B, C, L, S	12	8.0-13.8	110	1.32	7,000	10.10	3.80	31.50	P, U, X
FD4020B12W9-81*	B, C	12	8.0-13.8	160	1.92	8,000	10.70	5.40	35.80	P, U, X
FD8025B12W5-82*	B, L, S	12	8.0-13.8	90	1.08	2,400	34.10	2.20	29.50	P, M, U, X, y
FD1238B24W7-61	B, S	24	12.0-27.6	390	9.36	3,000	128.50	7.90	46.30	P

Specifications are subject to change without notice.

- For 'One Ball and One Sleeve', 'Long Life', 'Sleeve' Bearing version, change 'B' in the model number to 'C', 'L', 'S'.
- If model with *, auto restart protection built in.



AC 80x80x38mm, 92x92x25mm, 120x120x25mm, 120x120x38mm



Technical Specification

- Housing: die-Cast aluminium, Painted Black
- Blade: thermoplastic UL 94V-0 P.B.t
- insulation resistance: 100MΩ, 500VdC/min between bare wire and frame
- dielectric Strength: 1500VaC for one minute
- operation temperature: -10°C-70°C (Humidity 35%-85%rH)
- Storage temperature: -40°C-85°C (Humidity 35%-85%rH)
- Motor Protection: impedance Protected

Model Number	Bearing Availability	Rated Voltage (VDC)	Operating Voltage (VDC)	Actual Current (mA)	Power (w)	Speed (RPM)	Air Flow (CFM)	Static Pressure (mm-H, 0)	Noise (dBA)
FA8038B22T7-61	2 Ball or Sleeve	230	50/60	80/80	14/10	2,700/3,000	26.4/29.4	3.8/5.1	27.6/33.5
FA9225B22T7-61	2 Ball or Sleeve	230	50/60	100/100	13/11	1,400/1,900	22.3/30.5	1.2/1.9	21.7/25.6
FA1225B22T7-61	2 Ball or Sleeve	230	50/60	70/70	14/13	2,150/2,450	59.5/69.0	4.1/4.4	33.5/38.4
FA1238B22T7-61	2 Ball or Sleeve	230	50/60	200/200	28/24	2,600/3,000	100.5/113.4	9.2/9.6	38.4/43.3

Specifications are subject to change without notice.

- For Wire Lead version, change 'T' in the model number to 'W'.
- For Sleeve Bearing version, change 'B' in the model number to 'S'.



for volume discounts please contact our sales office: 01367 711 900

Prices subject to change.

order online www.abbeychart.co.uk

AC Fans:

Housing: die Cast aluminium

Blade: UL 94V-0 PBt

insulation resistance:
500M ohm min at 500 VdCStorage temperature:
-40 degs C to +70 degs Coperating temperature:
-10 degs C to +70 degs C

Lead Wire: UL type #24aWg

Motor Protection: impedance Protected

DC Fans:

Housing/Blade: UL 94V-0 PBt

insulation resistance: 10Mohmat500VdC
between internal stator and lead wire (+)Storage temperature:
-40 degs C to +70 degs Coperating temperature:
-10 degs C to +70 degs C

Lead Wire: UL type #24aWg / #26aWg



Have volume?
Call for special
pricing

Sunon AC Cooling Fans

Part Number	Manufacturers P/N	Bearing Type	Rated Voltage (AC)	Size	Depth	Speed	Air Flow (CFM)	Connections
800-840-096	Sf23080at-2082HSL.gn	Sleeve	230V	80mm	25mm	High	13.5/14	330mm flying leads
800-840-097	Sf23080at-2082HBL.gn	Ball	230V	80mm	25mm	High	13.5/14	330mm flying leads
800-840-098	Sf23080a-2083HSL.gn	Sleeve	230V	80mm	38mm	High	23/30	330mm flying leads
800-840-099	Sf23092a-2092HBT.gn	Ball	230V	92mm	25mm	High	30/37	terminals
800-840-100	Sf23092a-2092HSL.gn	Sleeve	230V	92mm	25mm	High	29/36	310mm flying leads
800-840-101	dP201at-2122HSt.gn	Sleeve	230V	120mm	25mm	High	64/78	terminals
800-840-102	dP201at-2122HBT.gn	Ball	230V	120mm	25mm	High	66/80	terminals
800-840-103	SP100a-1123XSt.gn	Sleeve	115V	120mm	38mm	Super High	95/115	terminals
800-840-104	SP100a-1123XBT.gn	Ball	115V	120mm	38mm	Super High	97/117	terminals
800-840-105	dP200a-2123XSL.gn	Sleeve	230V	120mm	38mm	Super High	95/115	310mm flying leads
800-840-106	dP200a-2123XSt.gn	Sleeve	230V	120mm	38mm	Super High	95/115	terminals
800-840-107	dP200a-2123XBL.gn	Ball	230V	120mm	38mm	Super High	97/117	310mm flying leads
800-840-108	dP200a-2123XBT.gn	Ball	230V	120mm	38mm	Super High	97/117	terminals
800-840-109	dP201a-2123HSt.gn	Sleeve	230V	120mm	38mm	High	85/105	terminals
800-840-110	dP201a-2123HBT.gn	Ball	230V	120mm	38mm	High	87/107	terminals
800-840-111	a2175-HBT-tC.gn	Ball	230V	171x151mm	51mm	High	203/239	terminals

for volume discounts please contact our sales office: 01367 711 900

Prices subject to change.

Sunon DC Cooling Fans

Connections - 300mm flying leads

Part Number	Manufacturers P/N	Bearing Type	Rated Voltage (AC)	Size	Depth	Speed	Air Flow (CFM)
800-840-084	MB40101V2-000U-a99	Vapo	12V	40mm	10mm	Medium	7.0
800-840-085	MB40201V2-000U-a99	Vapo	12V	40mm	20mm	Medium	7.7
800-840-086	MB40202V2-000U-a99	Vapo	24V	40mm	20mm	Medium	7.7
800-840-087	eB60251S1-000U-999	Sleeve	12V	60mm	25mm	High	23.5
800-840-088	MB60251V1-000U-a99	Vapo	12V	60mm	25mm	High	23.5
800-840-089	ee80251S1-000U-a99	Sleeve	12V	80mm	25mm	High	41.0
800-840-090	ee80251B1-000U-a99	Ball	12V	80mm	25mm	High	41.0
800-840-091	Me80251V1-000U-a99	Vapo	12V	80mm	25mm	High	41.0
800-840-092	ee80252S1-000U-a99	Sleeve	24V	80mm	25mm	High	41.0
800-840-093	ee92251S1-000U-a99	Sleeve	12V	92mm	25mm	High	51.5
800-840-094	eeC0381B1-000U-a99	Ball	12V	120mm	38mm	High	138.0
800-840-095	eeC0382B1-000U-a99	Ball	24V	120mm	38mm	High	138.0

order online www.abbeychart.co.uk

DC Fans

DC Axial Fans



Technical Specification

- Bearing type: two ball bearing
- Motor type: Brushless
- Material: Housing Plastic (UL:94V-0) impeller Plastic (UL:94V-0)
- Protection: Current limit / impedance
- operating temp: -10 to 70°C
- rated Voltage: 12V dC
- operating Voltage range: 7-13.2V

Other sizes, speeds and sleeveings available on request.

abbeychart specializes in a wide range of Ball, Sleeve and Hypro bearing dC axial fans, blowers and chip coolers (including specials) for a variety of environments - high humidity, high temperature, low noise, extended life for medical equipment, telecommunication and electronics industry.

the parts shown are the most common types, if you do not see what you require call our sales team on 01367 711 900 or e-mail sales@abbeychart.co.uk.

Part Number	Fan Size	Rated Current (Amps)	Rated Input Power (W)	Rated (RPM)	Maximum (CFM)	Air Flow (m ³ /min)	Maximum Static Pressure (mmH ₂ O)	Sound Level (dBA)
800-840-066	120x120x38	0.28	3.36	2000	85.87	2.43	1.96	34.1
800-840-062	120x120x38	0.5	6	2200	99.59	2.82	3.37	39
800-840-063	80x80x25	0.14	1.68	2400	30.67	0.87	2.30	27.4
800-840-064	40x40x20	0.16	1.92	8000	10.19	0.29	4.98	34.8
800-840-065	40x40x10	0.12	1.44	6000	4.64	0.13	2.87	26.9

AC Fans

Ball Bearing Type



abbeychart offers a wide range of 230V ball bearing type fans with aluminium die cast frames and housings and plastic impellers.

designed to give over 50,000 hours service with low noise levels they are ideally suited for control panels, instrument enclosures and refrigerated control applications where the circulation of air is required.

the table shows a number of fans that are usually held in stock for immediate delivery, some with flying leads and others with terminals, however this is only a small selection of what we have to offer so if you have a specific requirement please call 01367 711 900 for further information.

Tangential Fans



Part Number	Description
CRT-TFL180/20	220 Volt
CRT-TFR180/20	220 Volt
CRT-TFL360/40	220 Volt
CRT-TFR360/40	220 Volt

- TF - Cross flow fans starting from 50 up to 500 m³ / h in 38 variations
- Radial fan diam. 60 mm 99% aluminium with inserted blades and spaced reinforcing discs. available lengths are: 90, 120, 180, 240, 300 & 360 mm.
- Housing of zinc-plated iron sheet which accepts motors at both ends. Code tfr for right, code tfl for left.



faucets

Extensive range of quality faucets in a mix of design, colour and pressures meeting a wide range of water dispensing application requirements

High Pressure

Plastic

Long Reach

Push Button Operation

Fitting Kits

Abbeytap range of faucets from Abbeychart. All faucets are ceramic seated and come supplied with a fitting kit to 7/16-24 UNS male.

Venice Range



IN STOCK - READY TO DESPATCH

Part Number	Description
FAU6401-CP	Venice Mono Block faucet - Chrome Plated
FAU6401	Venice Mono Block faucet

other colours are available on request, subject to minimum order quantity, ask our Sales office for details.

- deluxe ceramic seated long reach faucet
- attractive and durable brushed nickel finish
- Set includes tap and fitting kit

Verona Range



IN STOCK - READY TO DESPATCH

Part Number	Description
FAUK-06	Verona - 2-Bend 1/4 turn Handle

- Ceramic seated long reach faucet
- Smooth action rotating handle
- Set includes tap and fitting kit

Sienna Range



IN STOCK - READY TO DESPATCH

Part Number	Description
FAUK-01	Sienna - 2-Bend Lever faucet

- Ceramic seated long reach faucet
- Plastic lever toggles for short or long bursts
- Set includes tap and fitting kit

Pisa Range



IN STOCK - READY TO DESPATCH

Part Number	Description
FAUZB-08A	Pisa-Push Button faucet

- Ceramic seated long reach faucet
- Simple push button operation
- Set includes tap and fitting kit

Napoli Range



Part Number

FAU002

- tri flow
- Supplies hot, cold and filtered water
- includes connection hoses

Calabria Range



Part Number

FAU003

- tri flow faucet
- Supplies hot, cold and fresh filtered water
- Separate exit for filtered water
- includes 3 flexible hoses each complete with brass 3/8" BSP nut for ease of connection

Torino Range



Part Number

FAUK-03

- Single bend faucet
- Plastic lever toggles for short or long bursts
- Set includes tap and fitting kit



abbeychart



Faucet Fittings



Part Number	Description
JGCI3208U7S	1/4" Push-fit x 7/16 - 24 Un5 female, tap adaptor
JGCI3212U7S	3/8" Push-fit x 7/16 - 24 Un5 female, tap adaptor

Bologna Range



IN STOCK - READY TO DESPATCH	
Part Number	Description
FAUK-042	Bologna Bubbler faucet / tap

- Ceramic seated 'bubbler' faucet
- Simple push button operation
- Set includes tap and fitting kit

Part Number
FAUKO42

Standard Faucet



Chrome Brass body with 1 1/32"-14 Un5 threads and nylon threaded bonnet.
optional safety handle available.

Part Number
ACSMET133

Long Reach Domestic Faucet



a lead free chrome plated brass long reach faucet with swivel arm and a positive black lifting handle for precise control. Comes with a brass male 7/16 Un5 thread and locking nut.

Part Number	Description
FAU20205	Chrome faucet c/w 7/16 fitting



abbeychart is the industry-leading supplier of specialist component parts, spares and accessories to the Water, Vending, Coffee, Soft drinks & Brewery sectors.

for volume discounts please contact our sales office: 01367 711 900

Prices subject to change.

abbeychart




Abbeychart
Units 5 & 6 Woodside
Road
South Marston Park
Swindon
Wiltshire
SN3 4WA



@Abbeychart

for product enquiries please contact our sales office:

 01367 711 900



sales@abbeychart.co.uk



www.abbeychart.co.uk